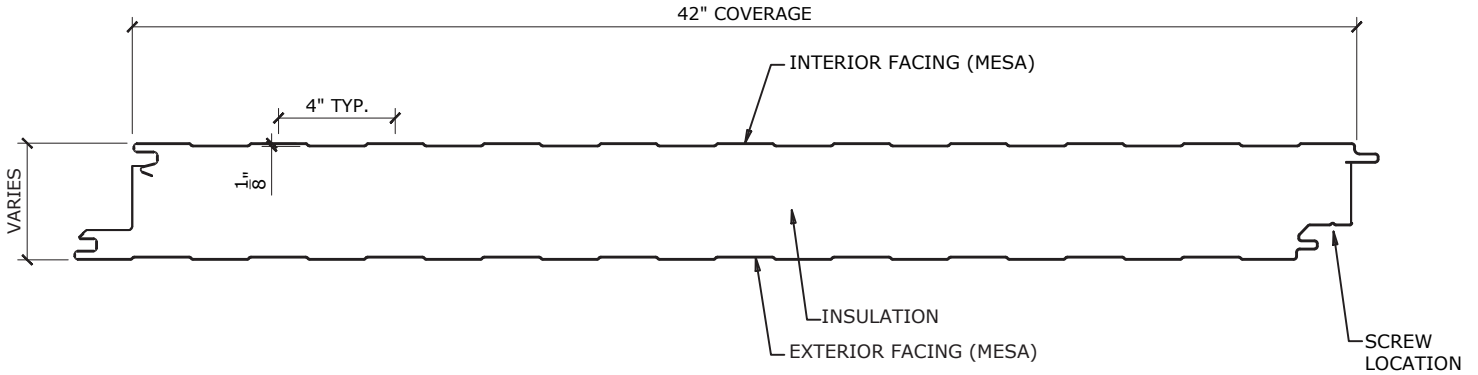


PROFILE	IMP WALL PANELS			APPLICATION	COMMERCIAL - INDUSTRIAL				
DETAIL	HORIZON WALL PANEL PROFILE			SHT.	IMP-200	DATE	JAN 6/21	REV.	A



HORIZON WALL PANEL

WIDTH: 42"
 PROFILE: MESA/MESA
 INSULATION THICKNESS: 2", 3", 4", 5", 6"
 EXTERIOR FACING: 22ga, 24ga, 26ga
 INTERIOR FACING: 22ga, 24ga, 26ga
 AVAILABLE FINISHES: SMOOTH, LIGHT EMBOSSED/SMOOTH, LIGHT EMBOSSED

SEE SHEET IMP-202 FOR WALL PANEL SIDELAP CONNECTION

DISCLAIMER

THE DETAILS ARE PROVIDED FOR REFERENCE AND AS A GUIDELINE TO INDUSTRY ACCEPTED PRACTICES FOR SIMPLE BUILDING CONDITIONS. THESE DETAILS DO NOT ADDRESS ALL BUILDING TYPES, CONDITIONS OR DESIGN. THE DETAILS MUST BE CHECKED FOR SUITABILITY AND MODIFIED BASED ON THE PROJECTS INTENDED USE, LOCATION, AND DESIGN LOADS.

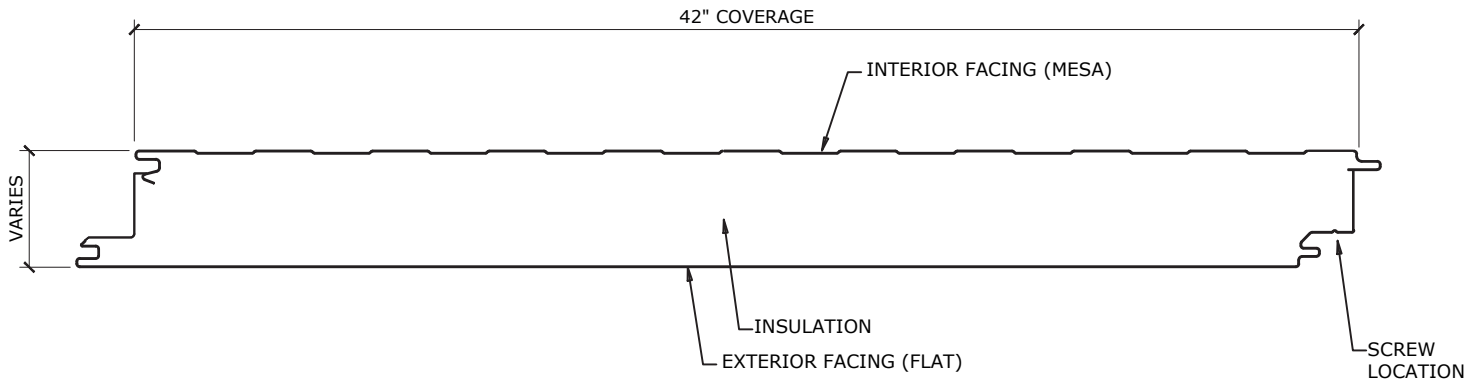
A QUALIFIED DESIGN PROFESSIONAL SHOULD BE CONSULTED TO ENSURE MATERIALS, PRODUCTS, AND DESIGN COMPLY WITH APPLICABLE CODES, REGULATIONS, AND STANDARDS. THIS INCLUDES CORRECT PLACEMENT OF SEALANTS, LOCATION OF AIR/VAPOUR BARRIERS AND PROJECT SPECIFIC DESIGN LOADS REQUIRED BY CODE TO MEET THE REQUIREMENTS FOR THE LOCAL AUTHORITIES HAVING JURISDICTION.

STRUCTURAL SUPPORTS AND CONNECTIONS ARE SHOWN FOR ILLUSTRATION PURPOSES ONLY. CONSTRUCTION DRAWINGS GOVERN OVER THESE DETAILS.

ARTSPAN CONTINUES TO REFINE AND IMPROVE BASED ON CHANGES TO THE INDUSTRY. ARTSPAN AND ITS AFFILIATED COMPANIES AND SUPPLIERS RESERVE THE RIGHT TO CHANGE DETAILS, SPECIFICATIONS, DESIGNS, OR PRODUCTS AT ANY TIME. PLEASE CONTACT ARTSPAN OR YOUR LOCAL REPRESENTATIVE FOR THE LATEST INFORMATION AVAILABLE.

- NOTES:
- A. DETAILS ARE FOR GUIDELINES ONLY, AND MAY NOT BE SUITABLE FOR ALL BUILDING DESIGNS AND CONDITIONS.
 - B. SCREW LENGTHS MAY VARY PER CUSTOMER REQUEST. #12-14x1", #12-14x1 1/2", #12-14x2", #12-14x3" ARE AVAILABLE.

PROFILE	IMP WALL PANELS			APPLICATION	COMMERCIAL - INDUSTRIAL				
DETAIL	EDGE WALL PANEL PROFILE			SHT.	IMP-200A	DATE	JAN 6/21	REV.	A



EDGE WALL PANEL

WIDTH: 42"
 PROFILE: FLAT/MESA
 INSULATION THICKNESS: 2", 3", 4", 5", 6"
 EXTERIOR FACING: 22ga, 24ga, 26ga
 INTERIOR FACING: 22ga, 24ga, 26ga
 AVAILABLE FINISHES: EXTERIOR: SMOOTH, LIGHT EMBOSSED, HEAVY EMBOSSED. INTERIOR: SMOOTH, LIGHT EMBOSSED.

SEE SHEET IMP-202 FOR WALL PANEL SIDELAP CONNECTION

DISCLAIMER

THE DETAILS ARE PROVIDED FOR REFERENCE AND AS A GUIDELINE TO INDUSTRY ACCEPTED PRACTICES FOR SIMPLE BUILDING CONDITIONS. THESE DETAILS DO NOT ADDRESS ALL BUILDING TYPES, CONDITIONS OR DESIGN. THE DETAILS MUST BE CHECKED FOR SUITABILITY AND MODIFIED BASED ON THE PROJECTS INTENDED USE, LOCATION, AND DESIGN LOADS.

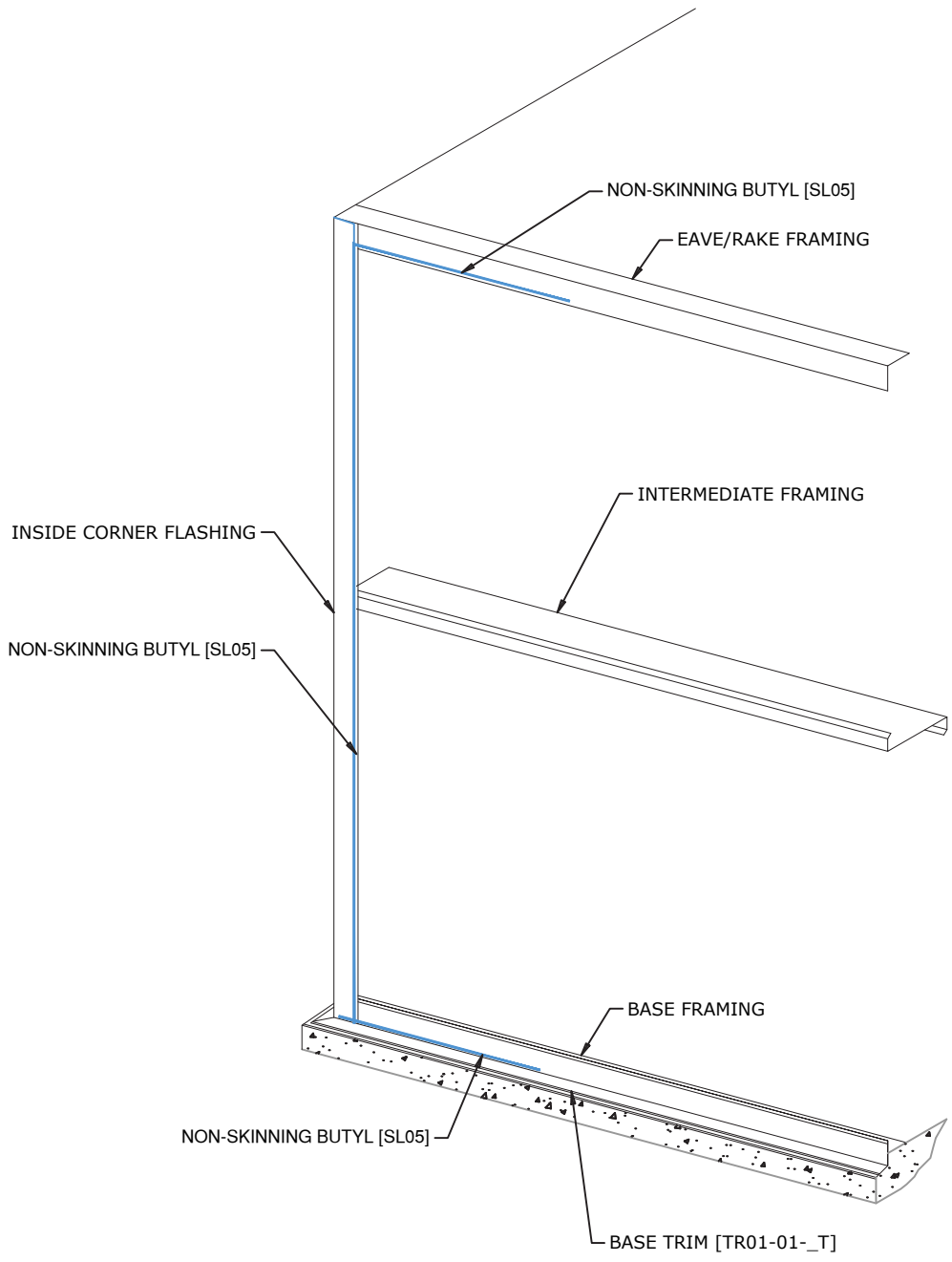
A QUALIFIED DESIGN PROFESSIONAL SHOULD BE CONSULTED TO ENSURE MATERIALS, PRODUCTS, AND DESIGN COMPLY WITH APPLICABLE CODES, REGULATIONS, AND STANDARDS. THIS INCLUDES CORRECT PLACEMENT OF SEALANTS, LOCATION OF AIR/VAPOUR BARRIERS AND PROJECT SPECIFIC DESIGN LOADS REQUIRED BY CODE TO MEET THE REQUIREMENTS FOR THE LOCAL AUTHORITIES HAVING JURISDICTION.

STRUCTURAL SUPPORTS AND CONNECTIONS ARE SHOWN FOR ILLUSTRATION PURPOSES ONLY. CONSTRUCTION DRAWINGS GOVERN OVER THESE DETAILS.

ARTSPAN CONTINUES TO REFINE AND IMPROVE BASED ON CHANGES TO THE INDUSTRY. ARTSPAN AND ITS AFFILIATED COMPANIES AND SUPPLIERS RESERVE THE RIGHT TO CHANGE DETAILS, SPECIFICATIONS, DESIGNS, OR PRODUCTS AT ANY TIME. PLEASE CONTACT ARTSPAN OR YOUR LOCAL REPRESENTATIVE FOR THE LATEST INFORMATION AVAILABLE.

- NOTES:**
- A. DETAILS ARE FOR GUIDELINES ONLY, AND MAY NOT BE SUITABLE FOR ALL BUILDING DESIGNS AND CONDITIONS.
 - B. SCREW LENGTHS MAY VARY PER CUSTOMER REQUEST. #12-14x1", #12-14x1 1/2", #12-14x2", #12-14x3" ARE AVAILABLE.

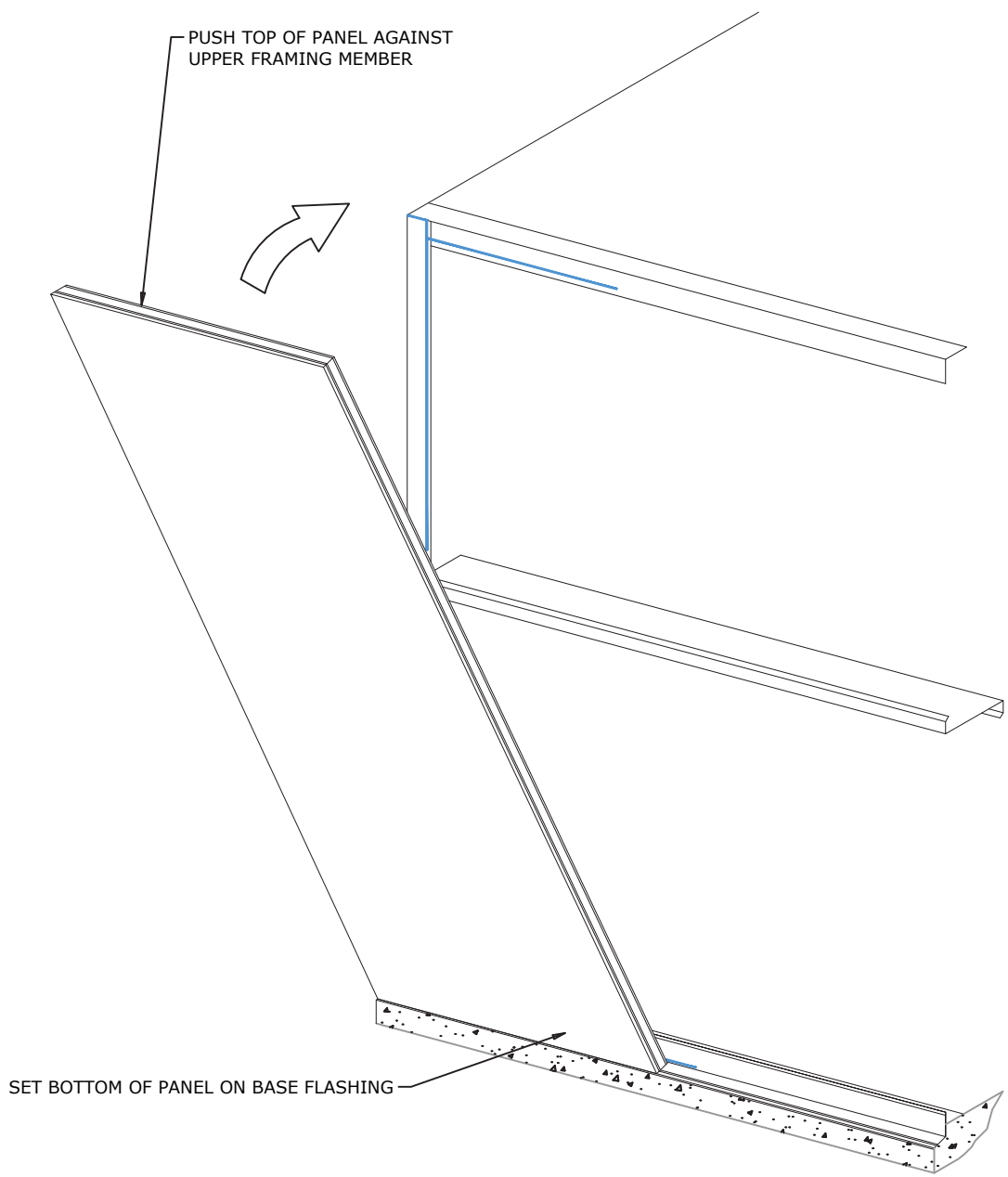
PROFILE IMP WALL PANELS		APPLICATION COMMERCIAL - INDUSTRIAL		
DETAIL WALL PANEL INSTALLATION - SEQUENCE 1		SHT. IMP-201	DATE JAN 6/21	REV. A



NOTES:

- A. DETAILS ARE FOR GUIDELINES ONLY, AND MAY NOT BE SUITABLE FOR ALL BUILDING DESIGNS AND CONDITIONS.
- B. SCREW LENGTHS MAY VARY PER CUSTOMER REQUEST. #12-14x1", #12-14x1 1/2", #12-14x2", #12-14x3" ARE AVAILABLE.

PROFILE	IMP WALL PANELS			APPLICATION	COMMERCIAL - INDUSTRIAL				
DETAIL	WALL PANEL INSTALLATION - SEQUENCE 2			SHT.	IMP-201A	DATE	JAN 6/21	REV.	A

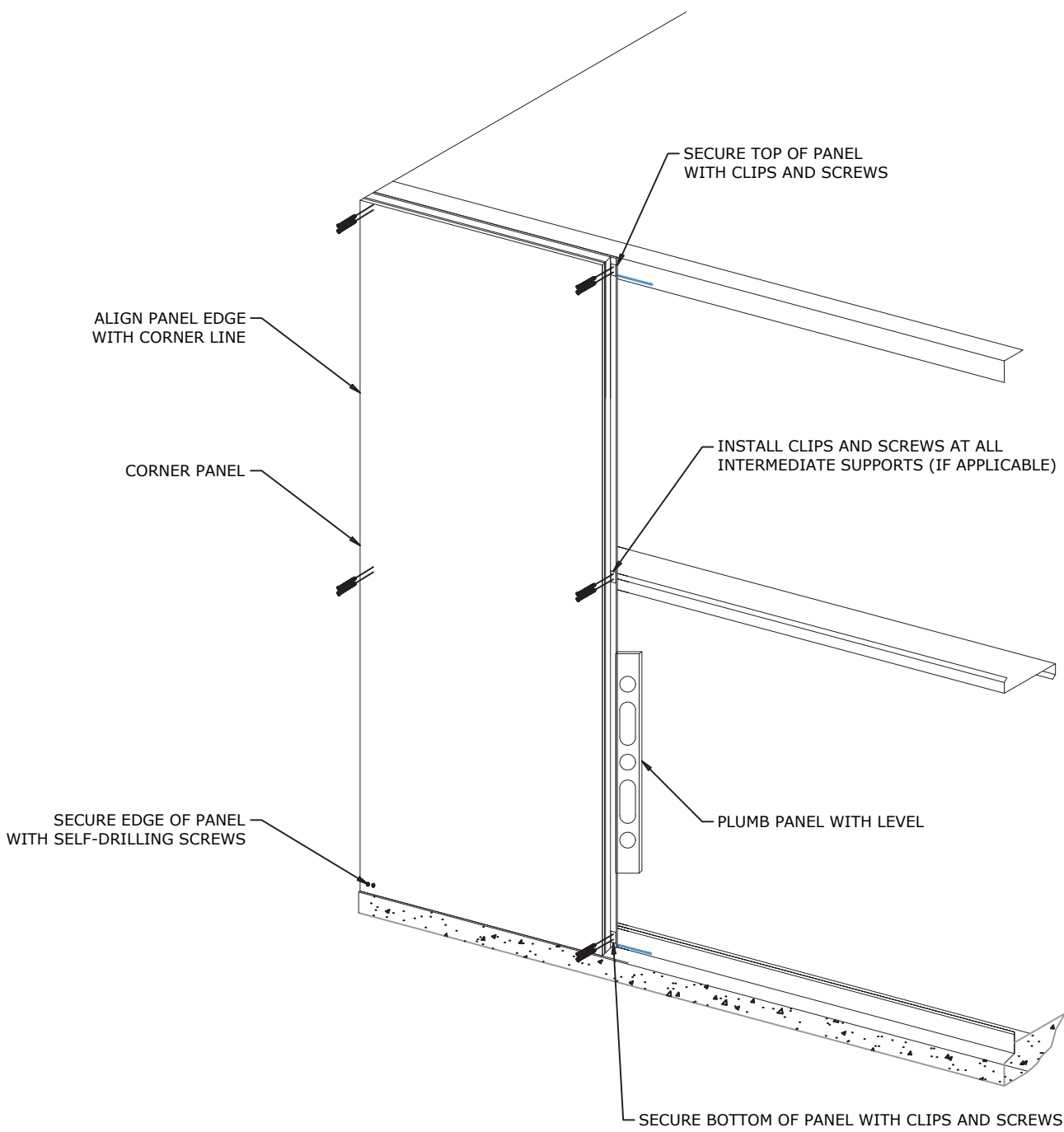


NOTE:
- FIELD CUT PANEL TO DESIRED WIDTH.

NOTES:

- A. DETAILS ARE FOR GUIDELINES ONLY, AND MAY NOT BE SUITABLE FOR ALL BUILDING DESIGNS AND CONDITIONS.
- B. SCREW LENGTHS MAY VARY PER CUSTOMER REQUEST. #12-14x1", #12-14x1 1/2", #12-14x2", #12-14x3" ARE AVAILABLE.

PROFILE	IMP WALL PANELS			APPLICATION	COMMERCIAL - INDUSTRIAL				
DETAIL	WALL PANEL INSTALLATION - SEQUENCE 3			SHT.	IMP-201B	DATE	JAN 6/21	REV.	A



NOTES:

- A. DETAILS ARE FOR GUIDELINES ONLY, AND MAY NOT BE SUITABLE FOR ALL BUILDING DESIGNS AND CONDITIONS.
- B. SCREW LENGTHS MAY VARY PER CUSTOMER REQUEST. #12-14x1", #12-14x1 1/2", #12-14x2", #12-14x3" ARE AVAILABLE.

PROFILE
IMP WALL PANELS

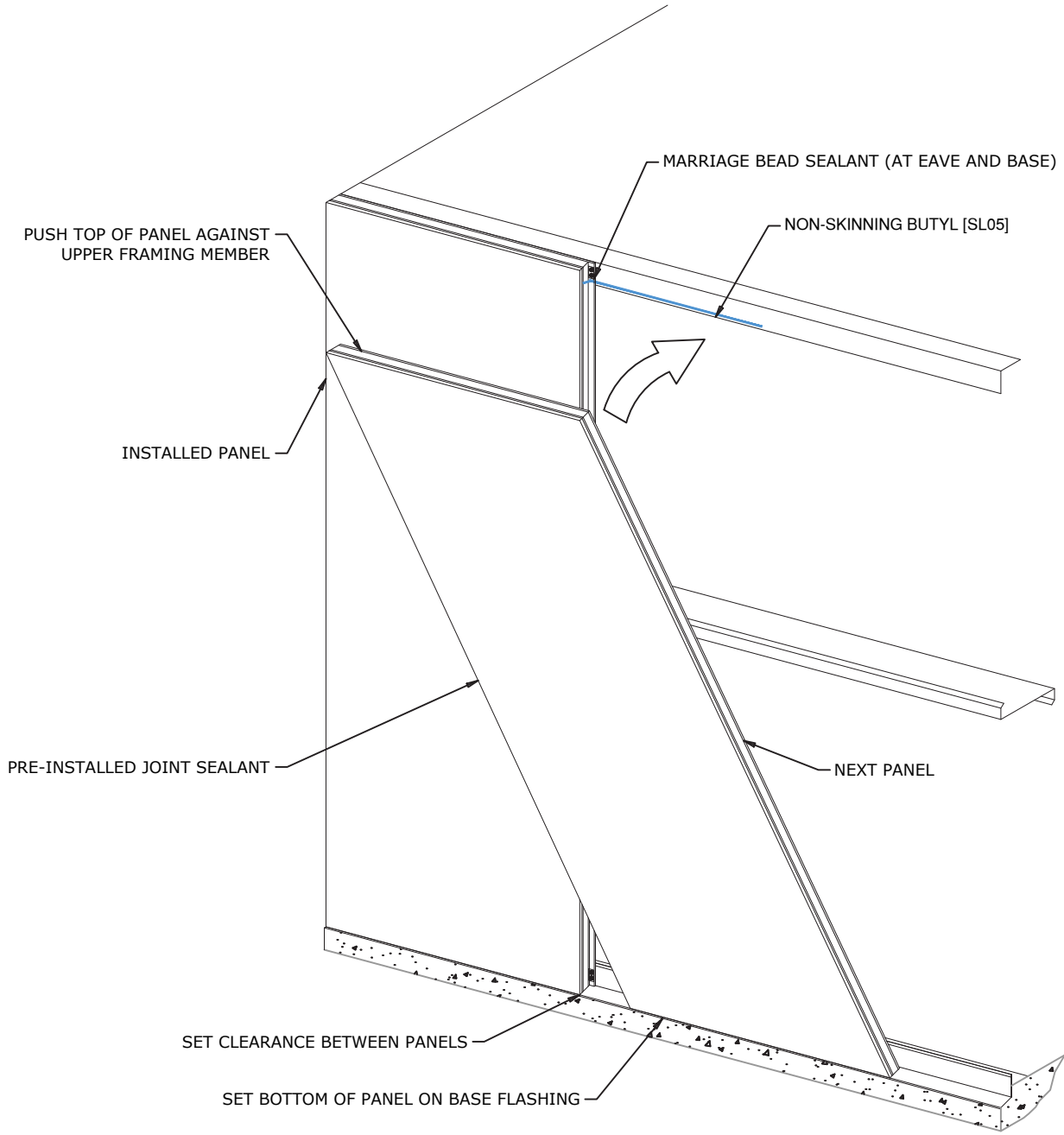
APPLICATION
COMMERCIAL - INDUSTRIAL

DETAIL
WALL PANEL INSTALLATION - SEQUENCE 4

SHT.
IMP-201C

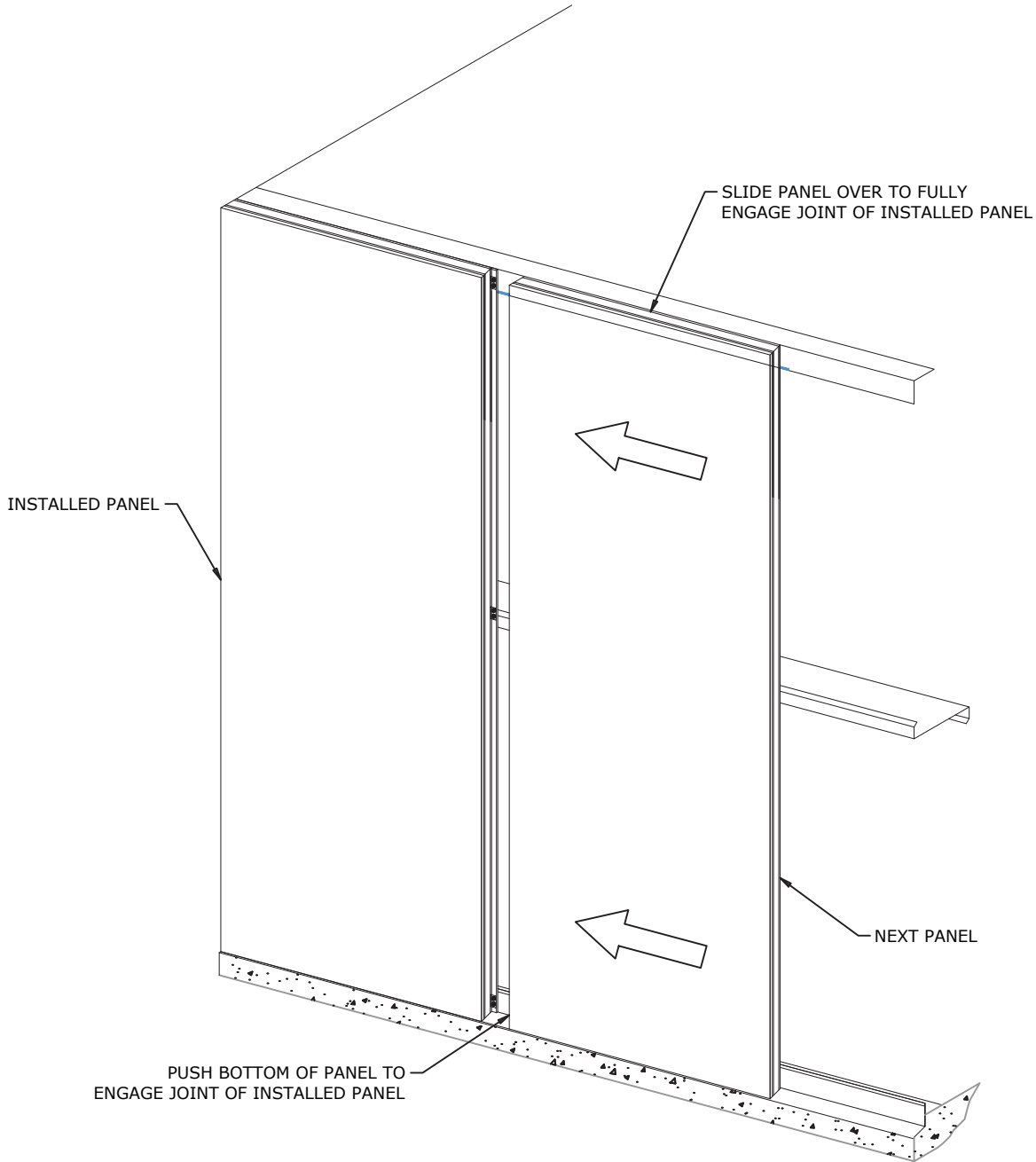
DATE
JAN 6/21

REV.
A



NOTES:
 A. DETAILS ARE FOR GUIDELINES ONLY, AND MAY NOT BE SUITABLE FOR ALL BUILDING DESIGNS AND CONDITIONS.
 B. SCREW LENGTHS MAY VARY PER CUSTOMER REQUEST. #12-14x1", #12-14x1 1/2", #12-14x2", #12-14x3" ARE AVAILABLE.

PROFILE	IMP WALL PANELS			APPLICATION	COMMERCIAL - INDUSTRIAL				
DETAIL	WALL PANEL INSTALLATION - SEQUENCE 5			SHT.	IMP-201D	DATE	JAN 6/21	REV.	A



NOTES:
 A. DETAILS ARE FOR GUIDELINES ONLY, AND MAY NOT BE SUITABLE FOR ALL BUILDING DESIGNS AND CONDITIONS.
 B. SCREW LENGTHS MAY VARY PER CUSTOMER REQUEST. #12-14x1", #12-14x1 1/2", #12-14x2", #12-14x3" ARE AVAILABLE.

PROFILE
IMP WALL PANELS

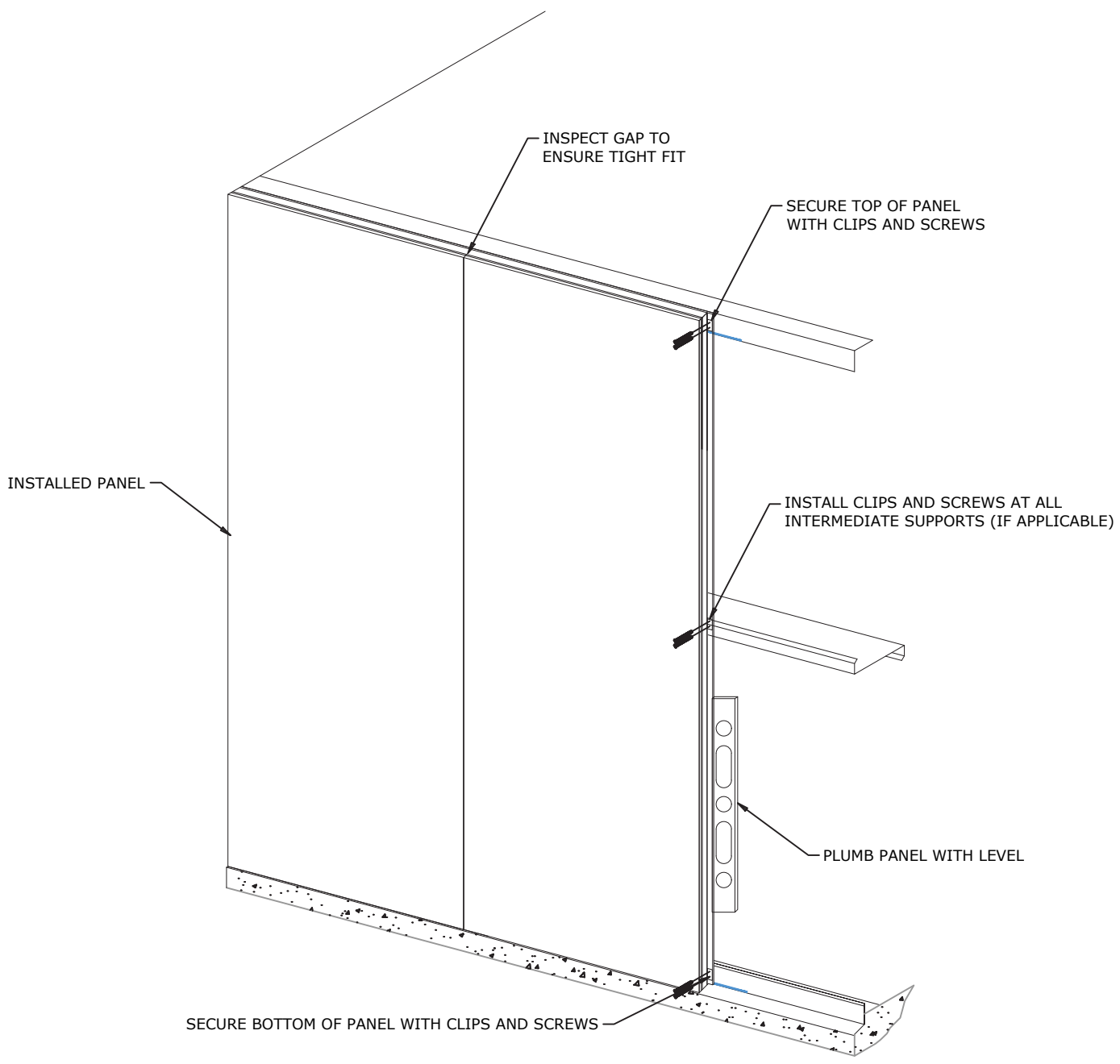
APPLICATION
COMMERCIAL - INDUSTRIAL

DETAIL
WALL PANEL INSTALLATION - SEQUENCE 6

SHT.
IMP-201E

DATE
JAN 6/21

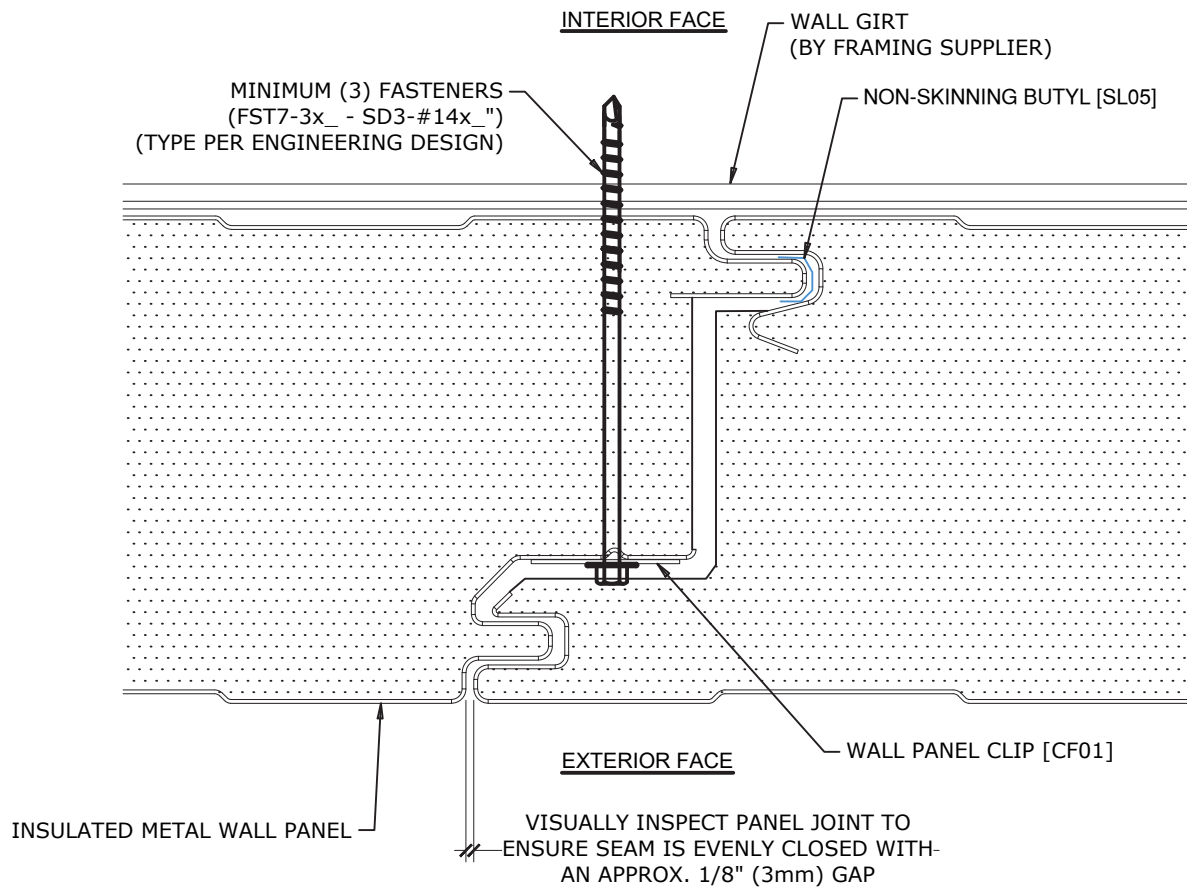
REV.
A



NOTES:

- A. DETAILS ARE FOR GUIDELINES ONLY, AND MAY NOT BE SUITABLE FOR ALL BUILDING DESIGNS AND CONDITIONS.
- B. SCREW LENGTHS MAY VARY PER CUSTOMER REQUEST. #12-14x1", #12-14x1 1/2", #12-14x2", #12-14x3" ARE AVAILABLE.

PROFILE	APPLICATION		
IMP WALL PANELS	COMMERCIAL - INDUSTRIAL		
DETAIL	SHT.	DATE	REV.
WALL PANEL SIDELAP	IMP-202	JAN 6/21	A



NOTE:

- AT STRUCTURAL GIRTS USE STRUCTURAL FASTENER (FST7-5x_ - SD5-#14 x_\" HW 3/8\" SIDELAP)
- BEAD OF NON-SKINNING BUTYL [SL05] IS TO BE 3/8\" UNLESS NOTED OTHERWISE.
- IF SEALANT RUNS OUT OF JOINT ENSURE IT IS CLEANED OFF THE PANEL IMMEDIATELY.

PROFILE
IMP WALL PANELS

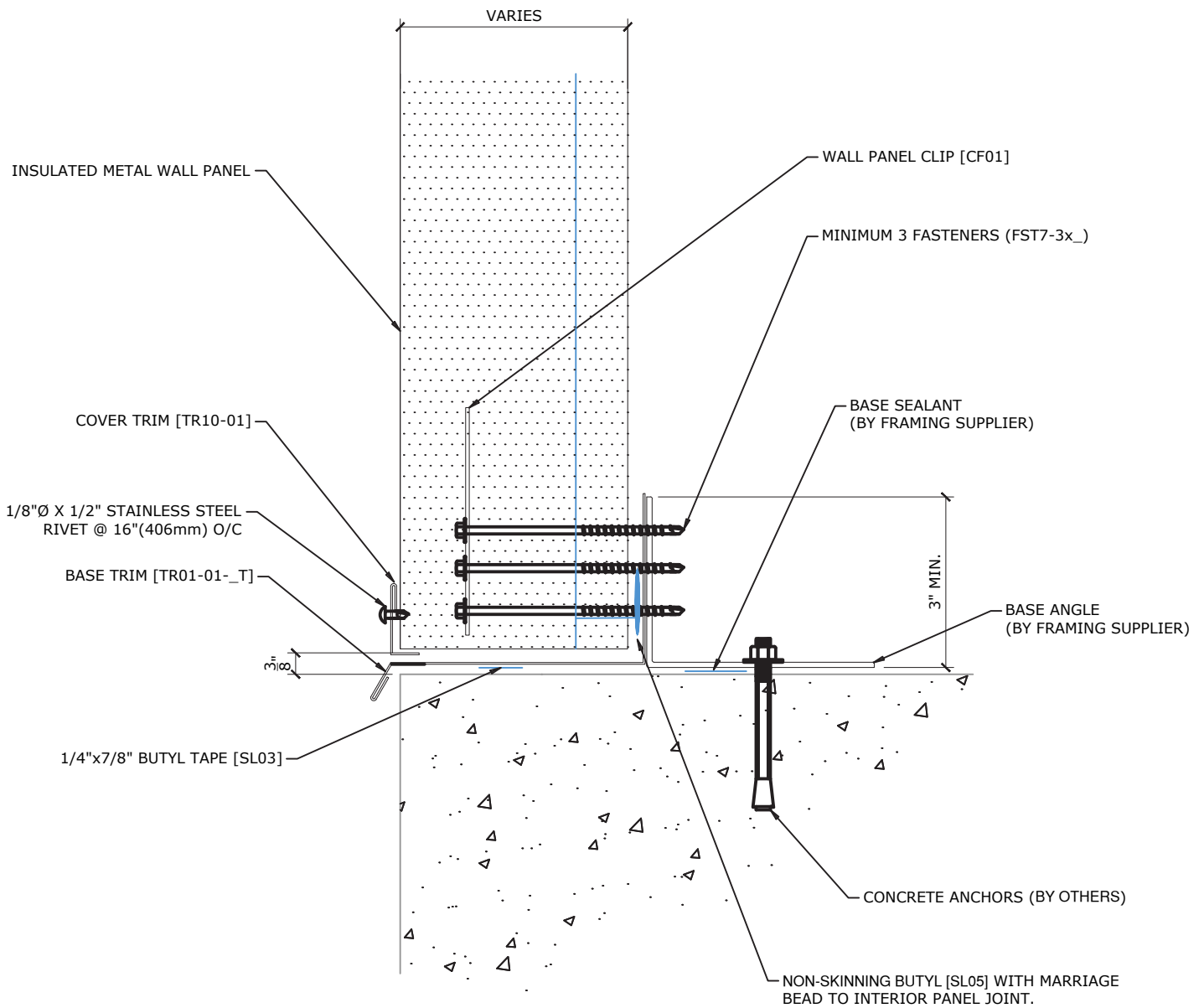
APPLICATION
COMMERCIAL - INDUSTRIAL

DETAIL
PANEL BASE CONNECTION

SHT.
IMP-203

DATE
JAN 6/21

REV.
A



NOTES:
 A. DETAILS ARE FOR GUIDELINES ONLY, AND MAY NOT BE SUITABLE FOR ALL BUILDING DESIGNS AND CONDITIONS.
 B. SCREW LENGTHS MAY VARY PER CUSTOMER REQUEST. #12-14x1", #12-14x1 1/2", #12-14x2", #12-14x3" ARE AVAILABLE.

PROFILE
IMP WALL PANELS

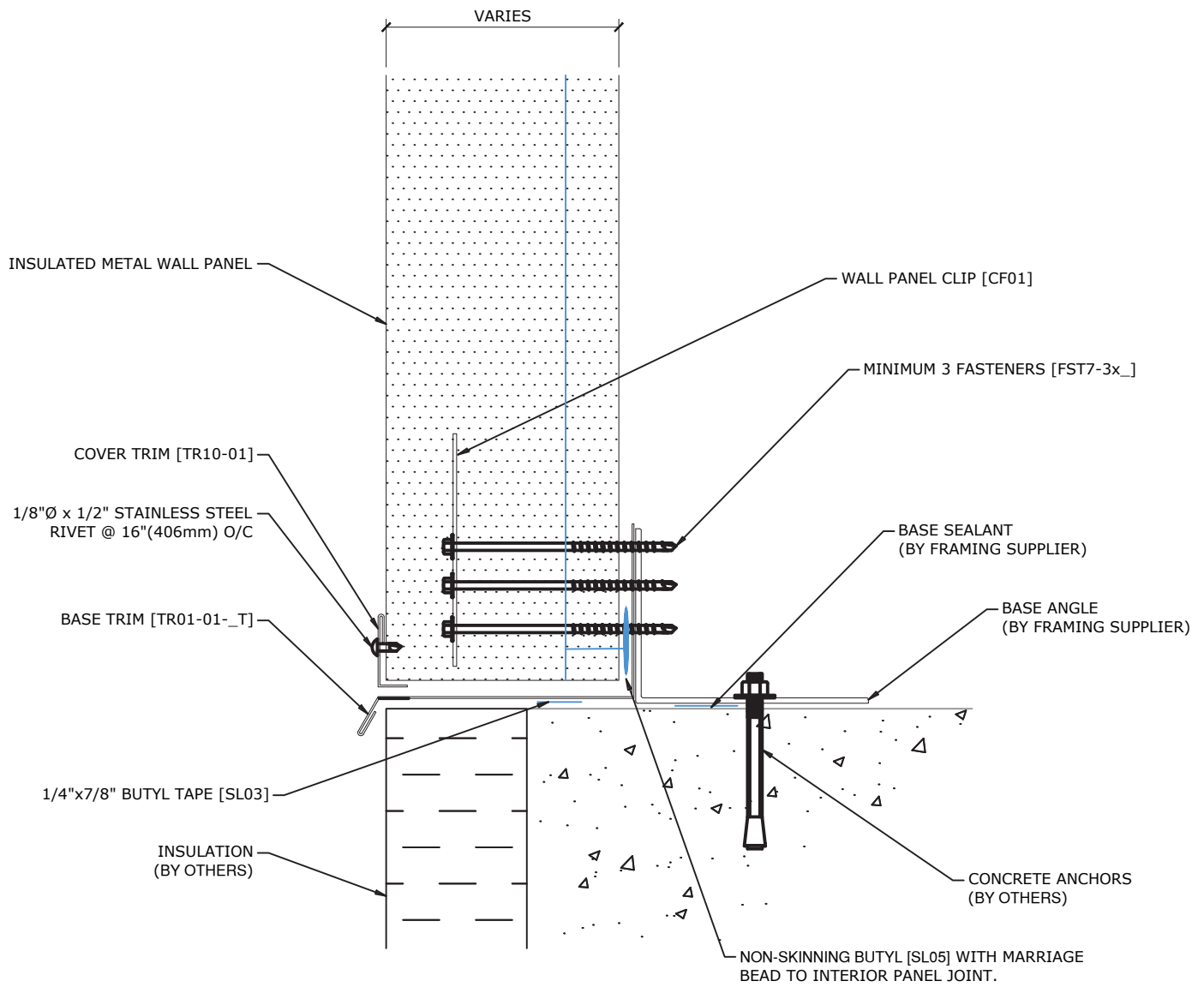
APPLICATION
COMMERCIAL - INDUSTRIAL

DETAIL
PANEL BASE CONNECTION W/ INSULATION

SHT.
IMP-203A

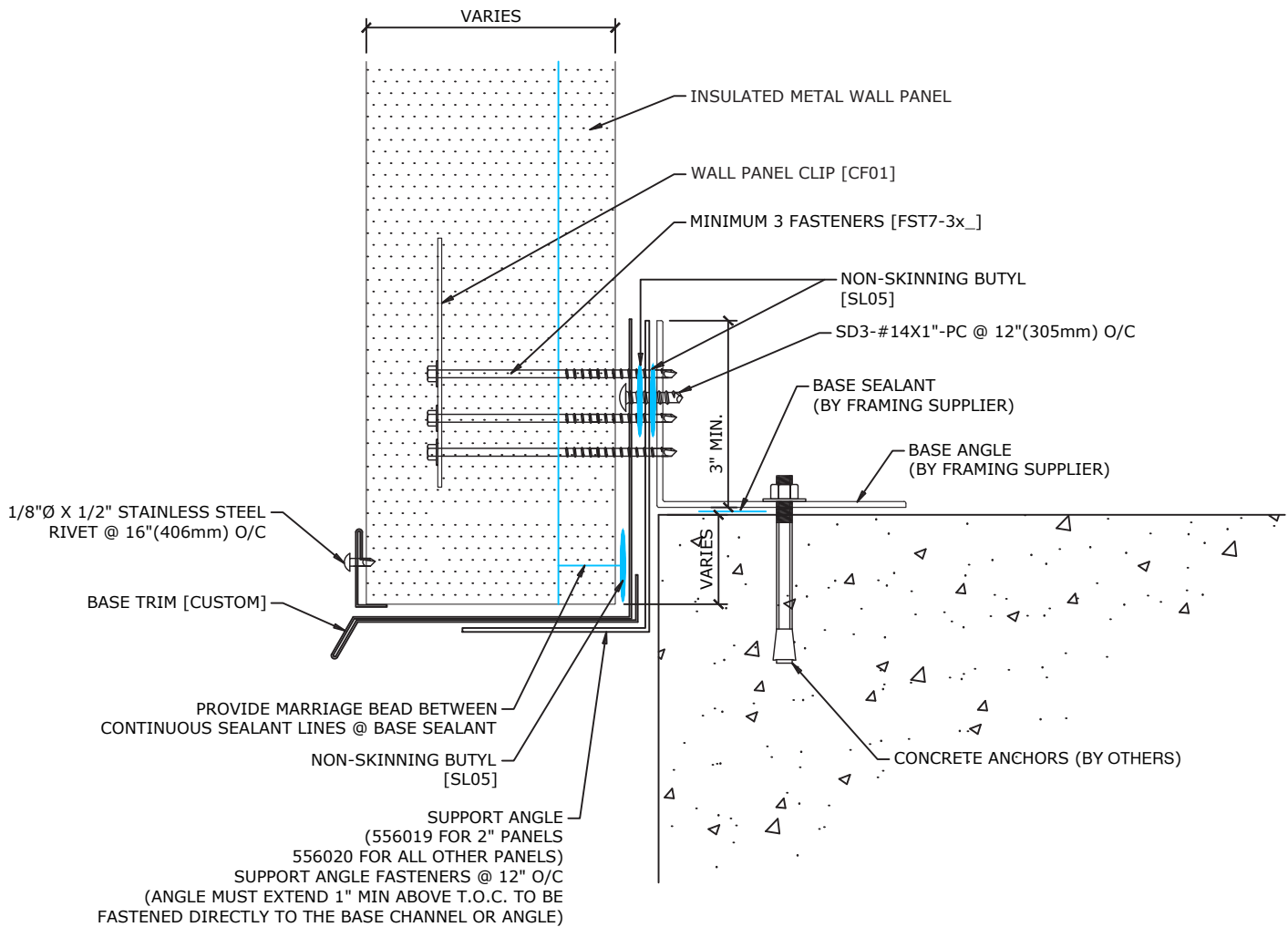
DATE
JAN 6/21

REV.
A



NOTES:
 A. DETAILS ARE FOR GUIDELINES ONLY, AND MAY NOT BE SUITABLE FOR ALL BUILDING DESIGNS AND CONDITIONS.
 B. SCREW LENGTHS MAY VARY PER CUSTOMER REQUEST. #12-14x1", #12-14x1 1/2", #12-14x2", #12-14x3" ARE AVAILABLE.

PROFILE	IMP WALL PANELS			APPLICATION	COMMERCIAL - INDUSTRIAL				
DETAIL	PANEL BY-PASS BASE CONNECTION			SHT.	IMP-203B	DATE	JUN 2/21	REV.	A

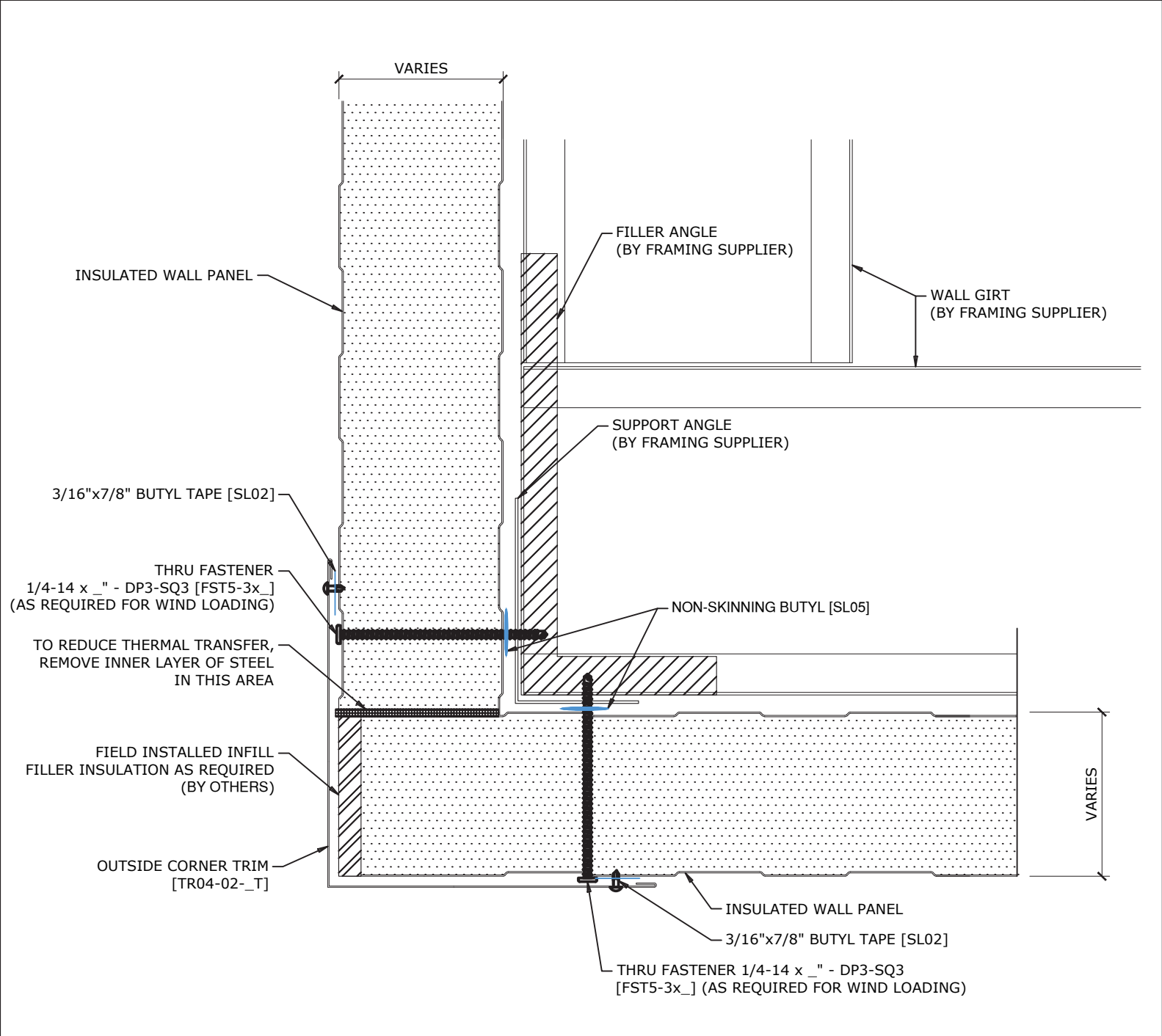


NOTE:

- BEAD OF NON-SKINNING BUTYL [SL05] IS TO BE 3/8" UNLESS NOTED OTHERWISE.
- IF SEALANT RUNS OUT OF JOINT ENSURE IT IS CLEANED OFF THE PANEL IMMEDIATELY.
- BEAD OF URETHANE POLYSEAL [SL06] IS TO BE 1/4" MINIMUM. A LARGER BEAD MAY BE USED IF REQUIRED.

NOTES:
 A. DETAILS ARE FOR GUIDELINES ONLY, AND MAY NOT BE SUITABLE FOR ALL BUILDING DESIGNS AND CONDITIONS.
 B. SCREW LENGTHS MAY VARY PER CUSTOMER REQUEST. #12-14x1", #12-14x1 1/2", #12-14x2", #12-14x3" ARE AVAILABLE.

PROFILE	APPLICATION		
IMP WALL PANELS	COMMERCIAL - INDUSTRIAL		
DETAIL	SHT.	DATE	REV.
OUTSIDE CORNER	IMP-204	JAN 6/21	A

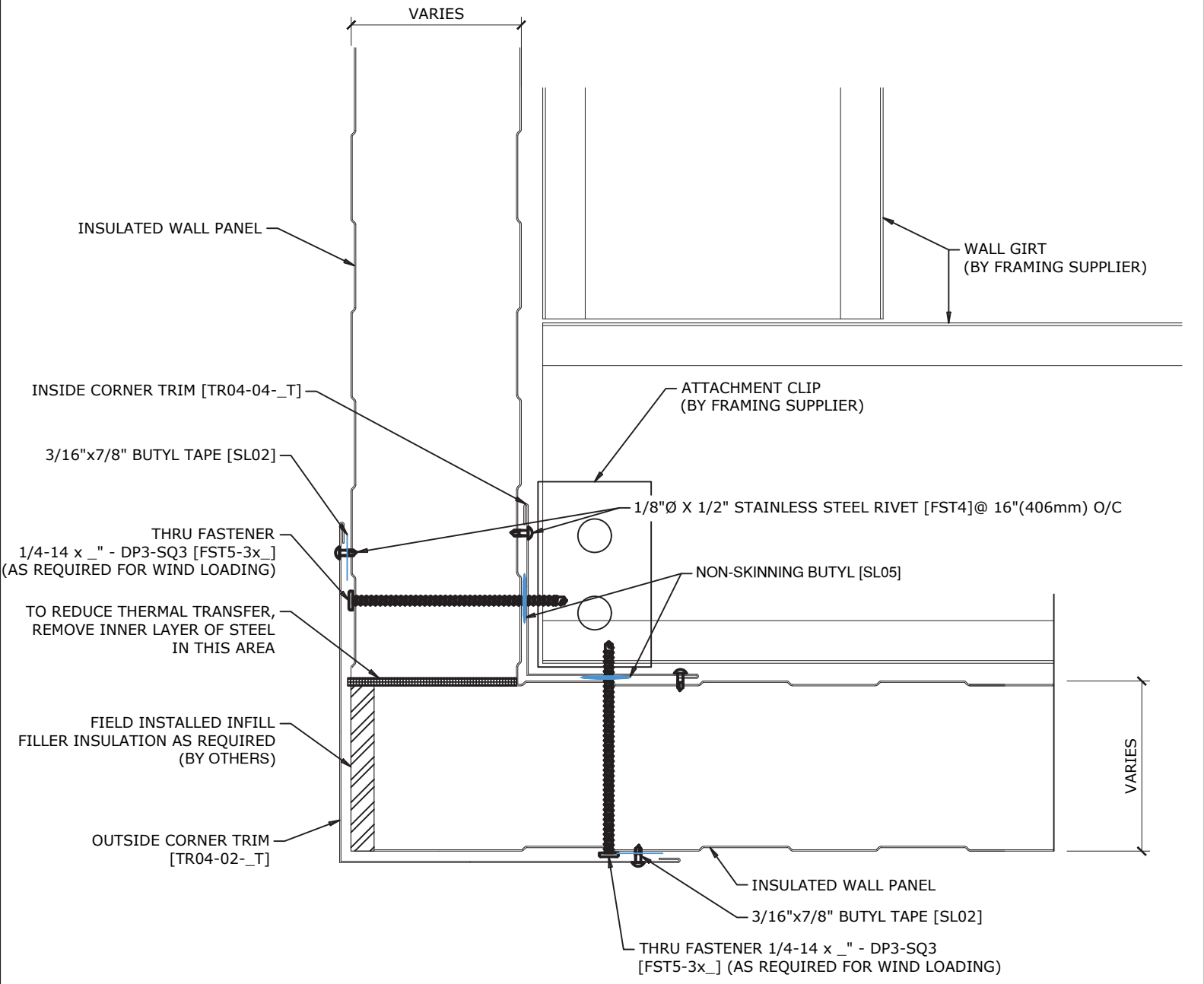


NOTE:

- FIELD CUT STARTING PANEL AND ENDING PANEL AS REQUIRED AT CORNER TRANSITION.
- SEALER IN THE OUTER GROOVE OF THE WALL PANEL AND BEHIND THE OUTER TRIMS IS ONLY REQUIRED IN WET LOCATIONS AND WHERE A REVERSE VAPOUR BARRIER IS REQUIRED.
- SEE BUILDING SPECIFIC DRAWINGS.

- NOTES:**
- A. DETAILS ARE FOR GUIDELINES ONLY, AND MAY NOT BE SUITABLE FOR ALL BUILDING DESIGNS AND CONDITIONS.
 - B. SCREW LENGTHS MAY VARY PER CUSTOMER REQUEST. #12-14x1", #12-14x1 1/2", #12-14x2", #12-14x3" ARE AVAILABLE.

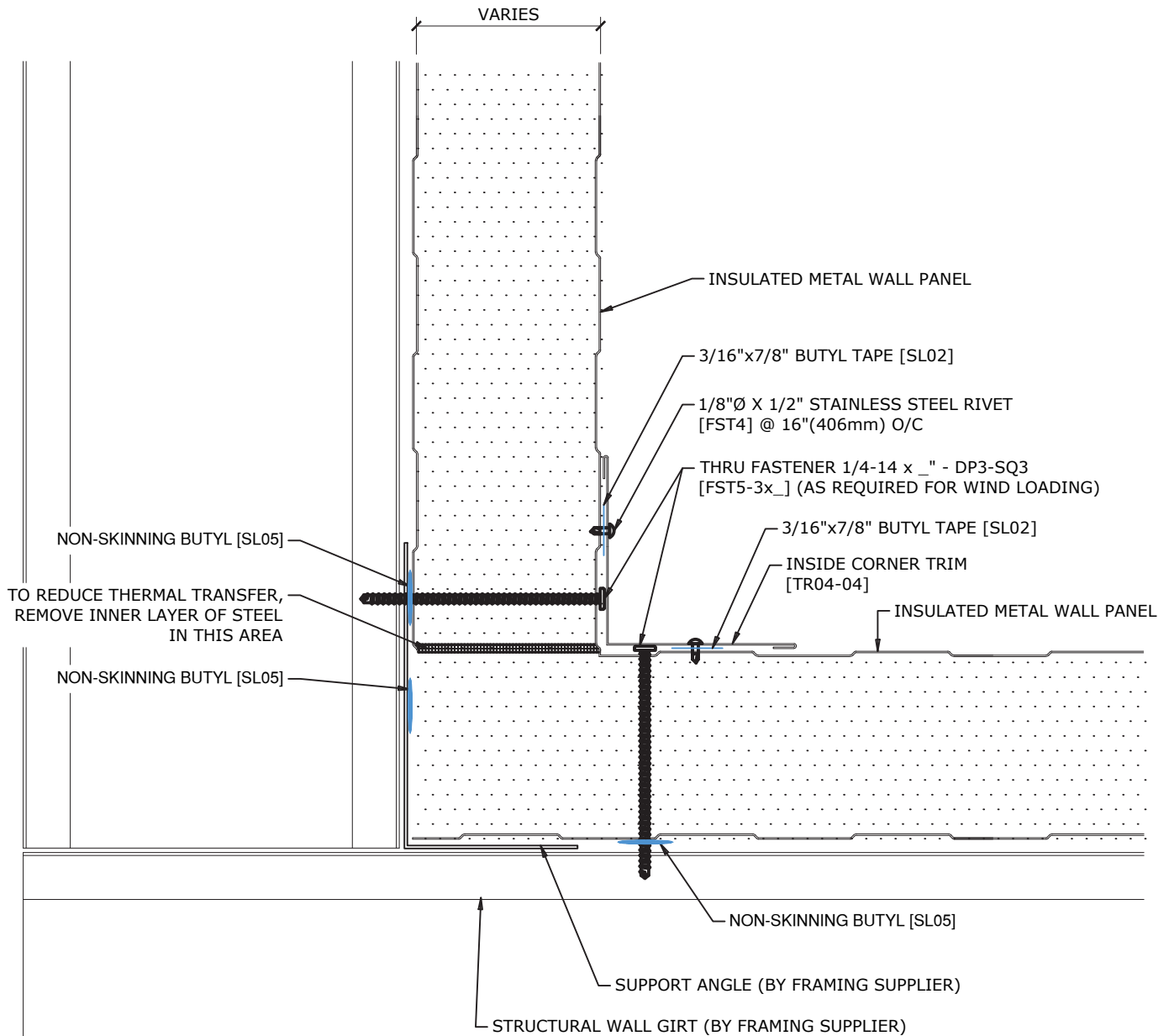
PROFILE	APPLICATION		
IMP WALL PANELS	COMMERCIAL - INDUSTRIAL		
DETAIL	SHT.	DATE	REV.
OUTSIDE CORNER	IMP-204A	JAN 6/21	A



NOTE:
 - FIELD CUT STARTING PANEL AND ENDING PANEL AS REQUIRED AT CORNER TRANSITION.
 - SEALER IN THE OUTER GROOVE OF THE WALL PANEL AND BEHIND THE OUTER TRIMS IS ONLY REQUIRED IN WET LOCATIONS AND WHERE A REVERSE VAPOUR BARRIER IS REQUIRED.
 SEE BUILDING SPECIFIC DRAWINGS.

NOTES:
 A. DETAILS ARE FOR GUIDELINES ONLY, AND MAY NOT BE SUITABLE FOR ALL BUILDING DESIGNS AND CONDITIONS.
 B. SCREW LENGTHS MAY VARY PER CUSTOMER REQUEST. #12-14x1", #12-14x1 1/2", #12-14x2", #12-14x3" ARE AVAILABLE.

PROFILE	APPLICATION		
IMP WALL PANELS	COMMERCIAL - INDUSTRIAL		
DETAIL	SHT.	DATE	REV.
INSIDE CORNER	IMP-205	JAN 6/21	A

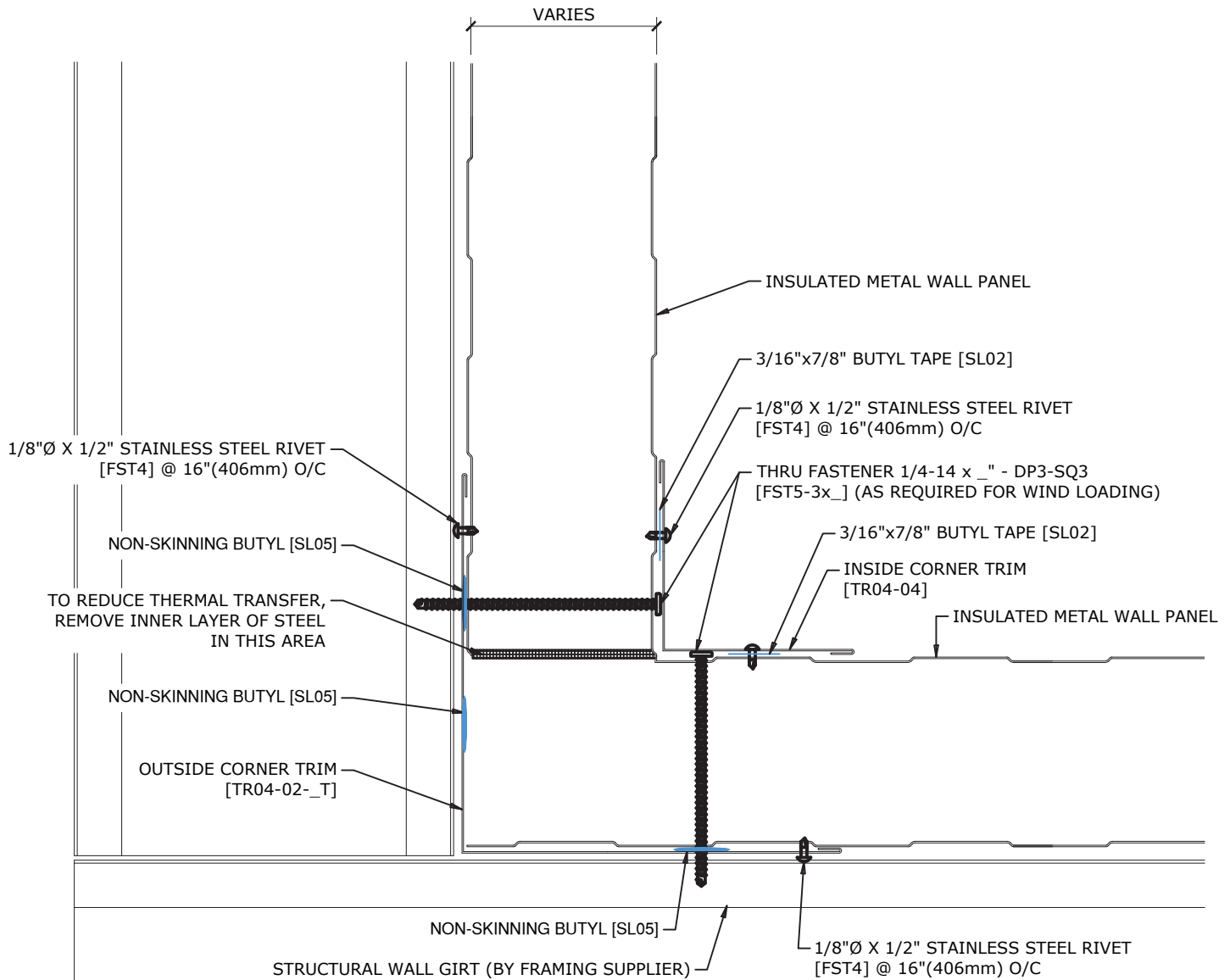


NOTE:

- BEAD OF NON-SKINNING BUTYL [SL05] IS TO BE 3/8" UNLESS NOTED OTHERWISE.
- IF SEALANT RUNS OUT OF JOINT ENSURE IT IS CLEANED OFF THE PANEL IMMEDIATELY.
- FIELD CUT STARTING PANEL AND ENDING PANEL AS REQUIRED AT CORNER TRANSITION.
- SEALER IN THE OUTER GROOVE OF THE WALL PANEL AND BEHIND THE OUTER TRIMS IS ONLY REQUIRED IN WET LOCATIONS WHERE A REVERSE VAPOUR BARRIER IS REQUIRED. SEE BUILDING SPECIFIC DRAWINGS.

NOTES:
 A. DETAILS ARE FOR GUIDELINES ONLY, AND MAY NOT BE SUITABLE FOR ALL BUILDING DESIGNS AND CONDITIONS.
 B. SCREW LENGTHS MAY VARY PER CUSTOMER REQUEST. #12-14x1", #12-14x1 1/2", #12-14x2", #12-14x3" ARE AVAILABLE.

PROFILE	APPLICATION		
IMP WALL PANELS	COMMERCIAL - INDUSTRIAL		
DETAIL	SHT.	DATE	REV.
INSIDE CORNER	IMP-205A	JAN 6/21	A

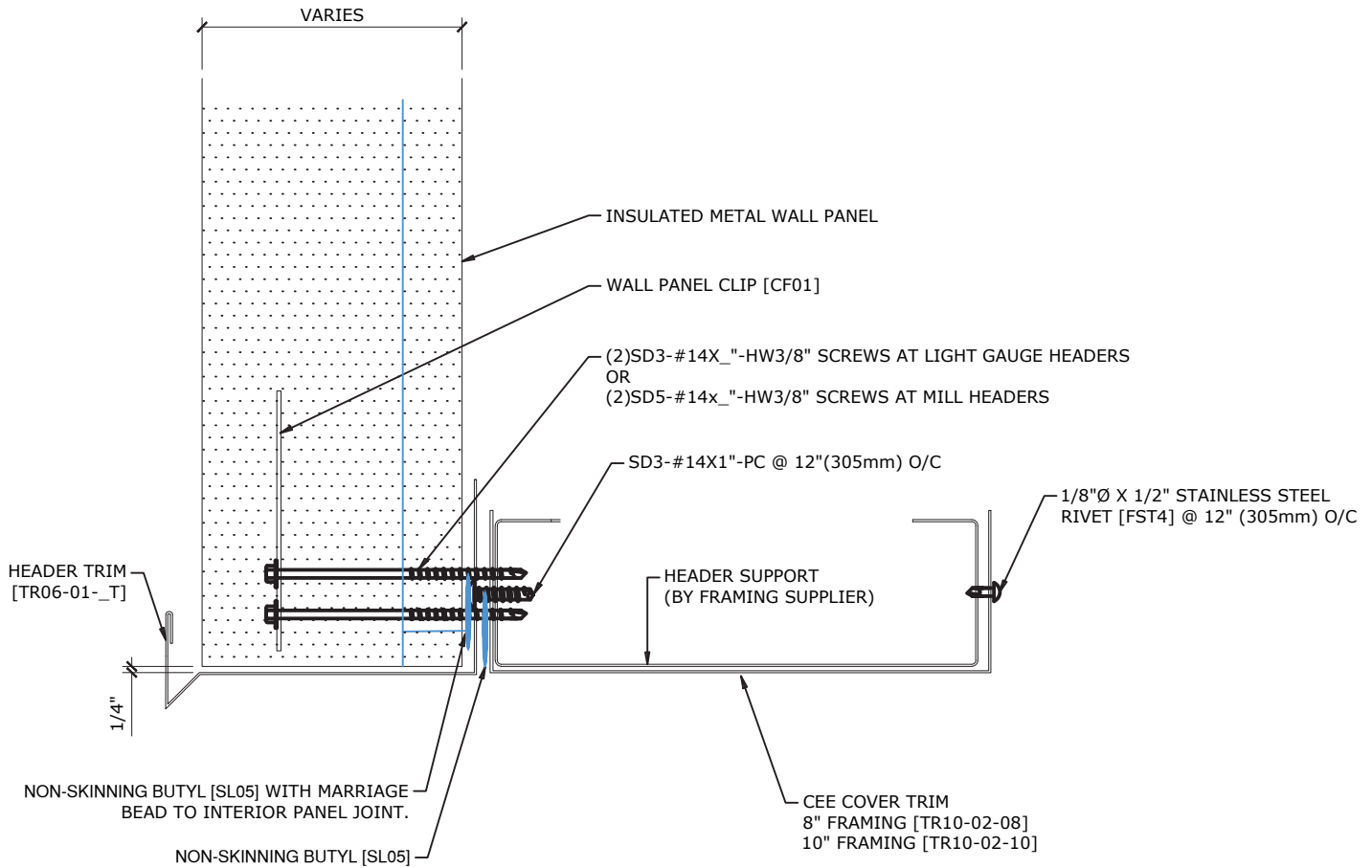


NOTE:

- BEAD OF NON-SKINNING BUTYL [SL05] IS TO BE 3/8" UNLESS NOTED OTHERWISE.
- IF SEALANT RUNS OUT OF JOINT ENSURE IT IS CLEANED OFF THE PANEL IMMEDIATELY.
- FIELD CUT STARTING PANEL AND ENDING PANEL AS REQUIRED AT CORNER TRANSITION.
- SEALER IN THE OUTER GROOVE OF THE WALL PANEL AND BEHIND THE OUTER TRIMS IS ONLY REQUIRED IN WET LOCATIONS WHERE A REVERSE VAPOUR BARRIER IS REQUIRED. SEE BUILDING SPECIFIC DRAWINGS.

NOTES:
 A. DETAILS ARE FOR GUIDELINES ONLY, AND MAY NOT BE SUITABLE FOR ALL BUILDING DESIGNS AND CONDITIONS.
 B. SCREW LENGTHS MAY VARY PER CUSTOMER REQUEST. #12-14x1", #12-14x1 1/2", #12-14x2", #12-14x3" ARE AVAILABLE.

PROFILE	APPLICATION		
IMP WALL PANELS	COMMERCIAL - INDUSTRIAL		
DETAIL	SHT.	DATE	REV.
DOOR HEADER	IMP-206	JAN 6/21	A

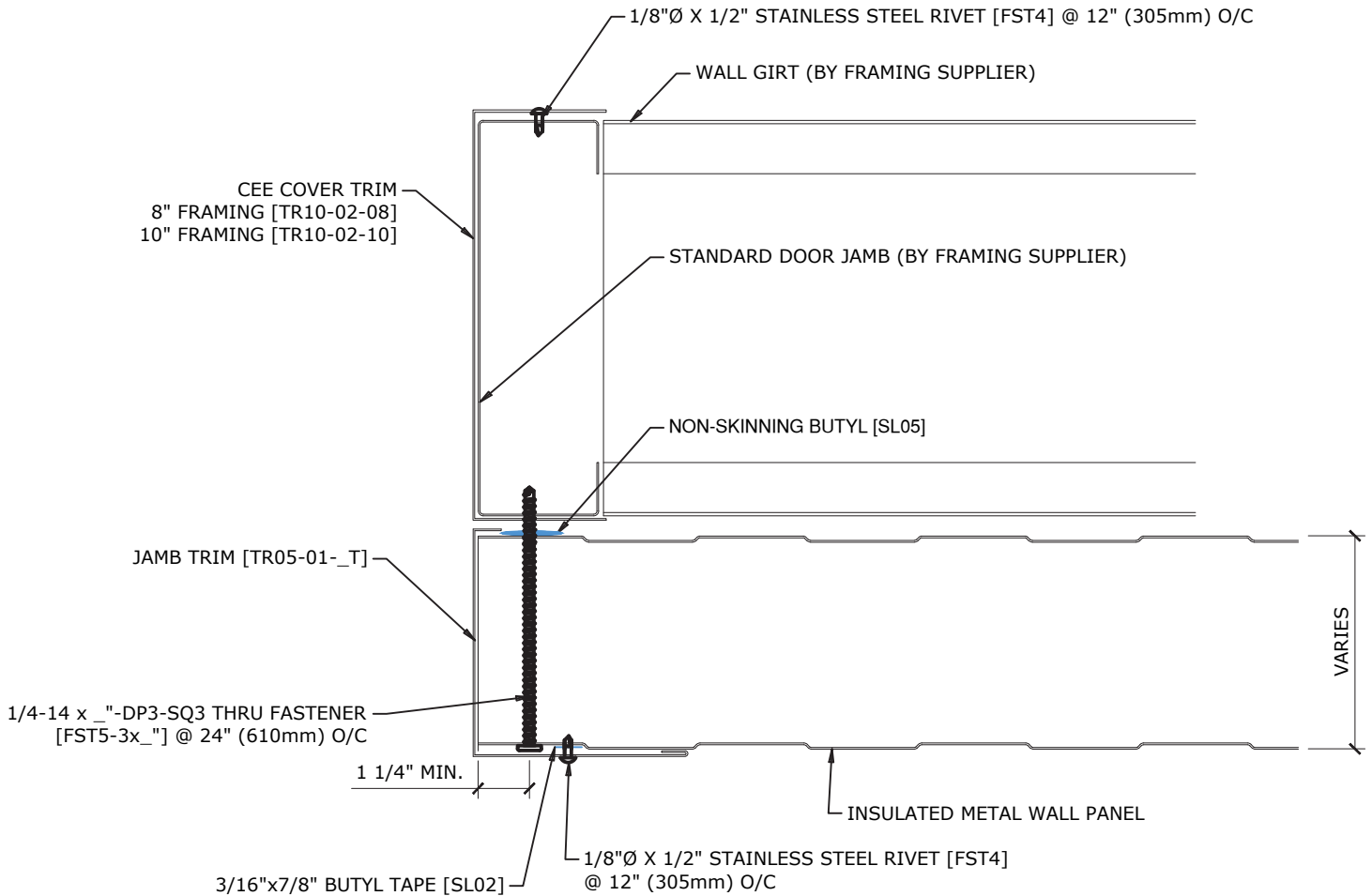


NOTE:

- BEAD OF NON-SKINNING BUTYL [SL05] IS TO BE 3/8" UNLESS NOTED OTHERWISE.
- IF SEALANT RUNS OUT OF JOINT ENSURE IT IS CLEANED OFF THE PANEL IMMEDIATELY.
- BEAD OF URETHANE POLYSEAL [SL06] IS TO BE 1/4" MINIMUM. A LARGER BEAD MAY BE USED IF REQUIRED.

NOTES:
 A. DETAILS ARE FOR GUIDELINES ONLY, AND MAY NOT BE SUITABLE FOR ALL BUILDING DESIGNS AND CONDITIONS.
 B. SCREW LENGTHS MAY VARY PER CUSTOMER REQUEST. #12-14x1", #12-14x1 1/2", #12-14x2", #12-14x3" ARE AVAILABLE.

PROFILE	IMP WALL PANELS			APPLICATION	COMMERCIAL - INDUSTRIAL				
DETAIL	DOOR JAMB			SHT.	IMP-206A	DATE	JAN 6/21	REV.	A

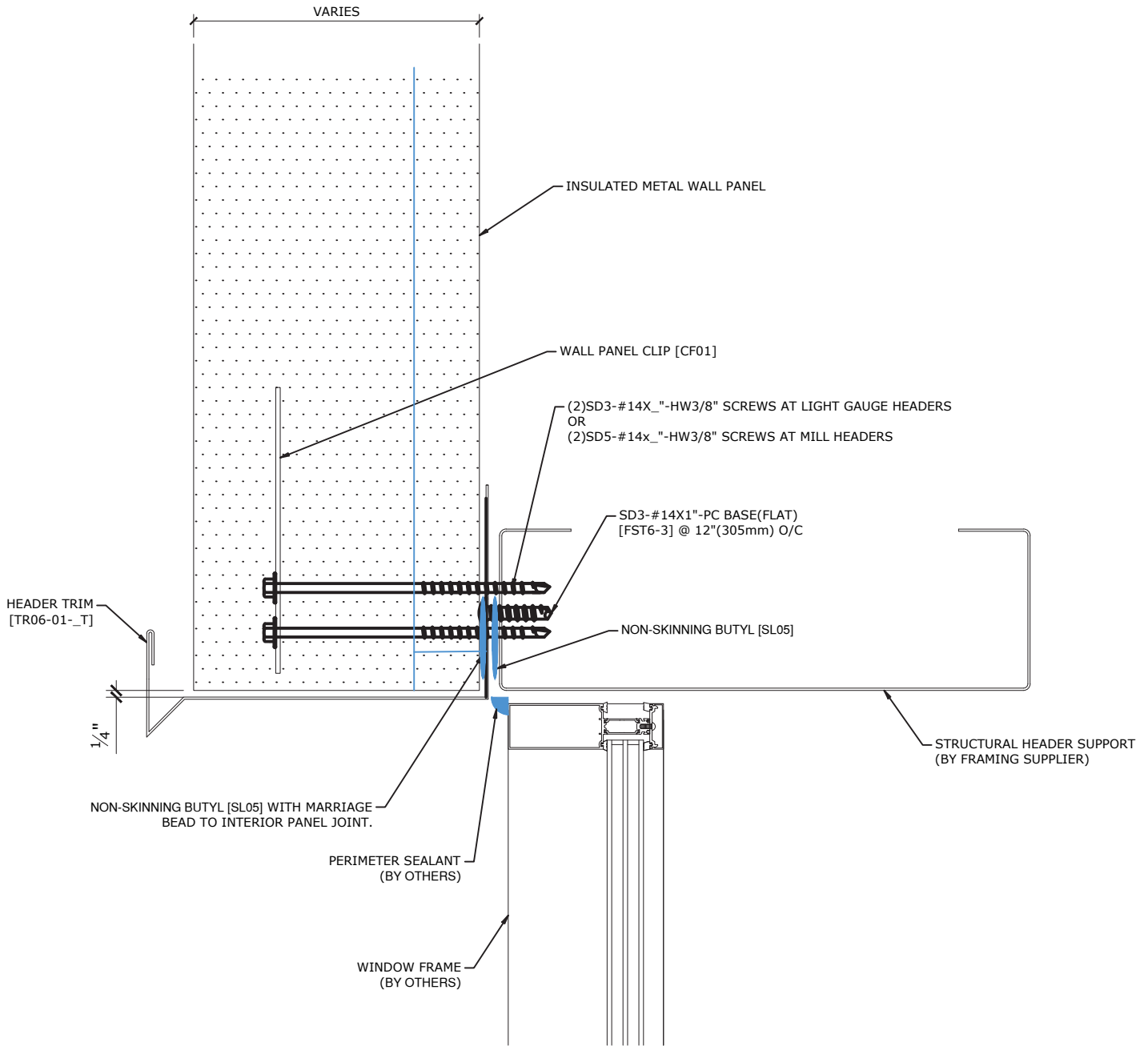


NOTE:

- BEAD OF NON-SKINNING BUTYL [SL05] IS TO BE 3/8" UNLESS NOTED OTHERWISE.
- IF SEALANT RUNS OUT OF JOINT ENSURE IT IS CLEANED OFF THE PANEL IMMEDIATELY.
- BEAD OF URETHANE POLYSEAL [SL06] IS TO BE 1/4" MINIMUM. A LARGER BEAD MAY BE USED IF REQUIRED.

NOTES:
 A. DETAILS ARE FOR GUIDELINES ONLY, AND MAY NOT BE SUITABLE FOR ALL BUILDING DESIGNS AND CONDITIONS.
 B. SCREW LENGTHS MAY VARY PER CUSTOMER REQUEST. #12-14x1", #12-14x1 1/2", #12-14x2", #12-14x3" ARE AVAILABLE.

PROFILE	IMP WALL PANELS			APPLICATION	COMMERCIAL - INDUSTRIAL				
DETAIL	WINDOW HEADER			SHT.	IMP-207	DATE	JAN 6/21	REV.	A



NOTE:

- BEAD OF NON-SKINNING BUTYL [SL05] IS TO BE 3/8" UNLESS NOTED OTHERWISE.
- IF SEALANT RUNS OUT OF JOINT ENSURE IT IS CLEANED OFF THE PANEL IMMEDIATELY.
- BEAD OF URETHANE POLYSEAL [SL06] IS TO BE 1/4" MINIMUM. A LARGER BEAD MAY BE USED IF REQUIRED.

NOTES:
 A. DETAILS ARE FOR GUIDELINES ONLY, AND MAY NOT BE SUITABLE FOR ALL BUILDING DESIGNS AND CONDITIONS.
 B. SCREW LENGTHS MAY VARY PER CUSTOMER REQUEST. #12-14x1", #12-14x1 1/2", #12-14x2", #12-14x3" ARE AVAILABLE.

PROFILE
IMP WALL PANELS

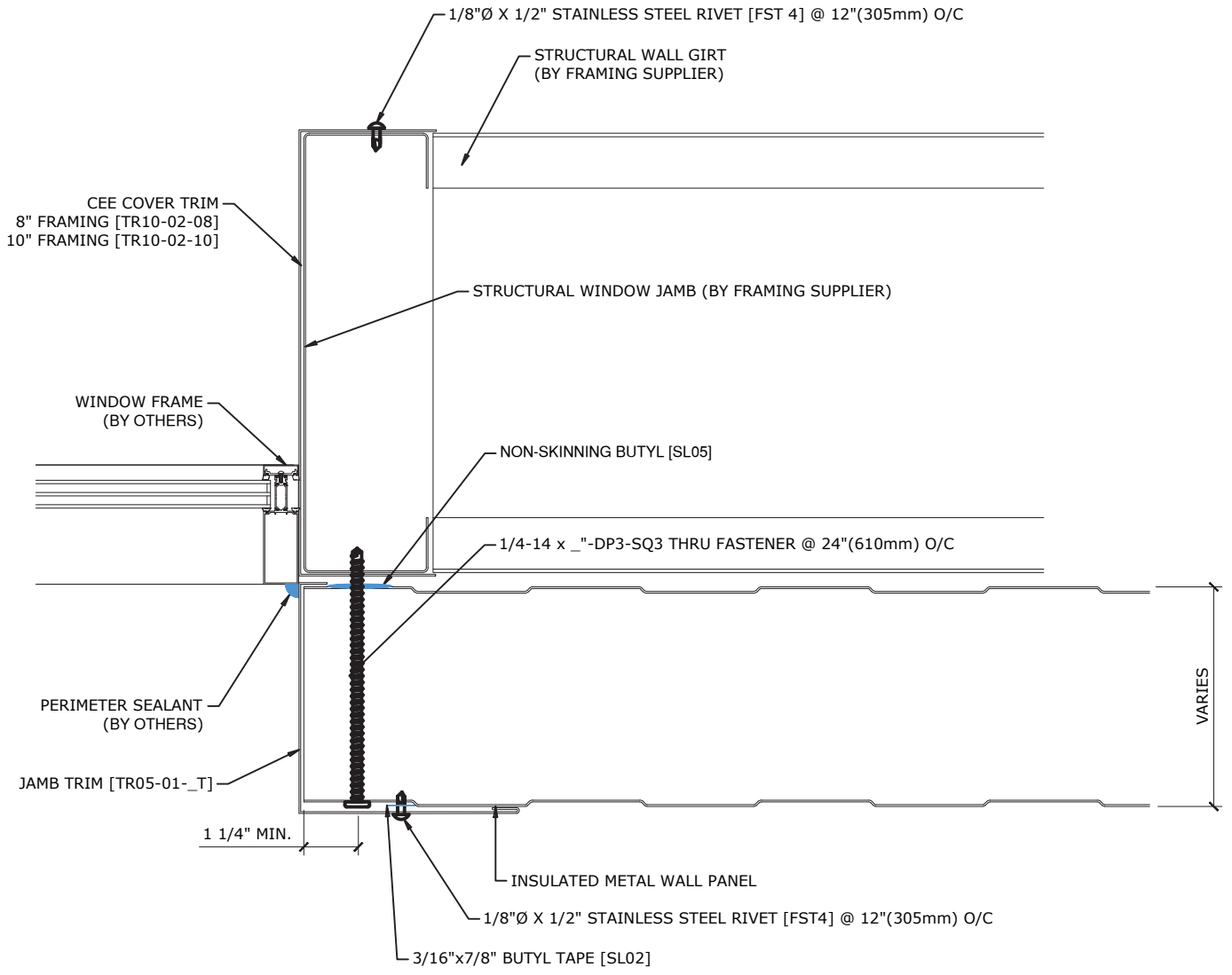
APPLICATION
COMMERCIAL - INDUSTRIAL

DETAIL
WINDOW JAMB

SHT.
IMP-207A

DATE
JAN 6/21

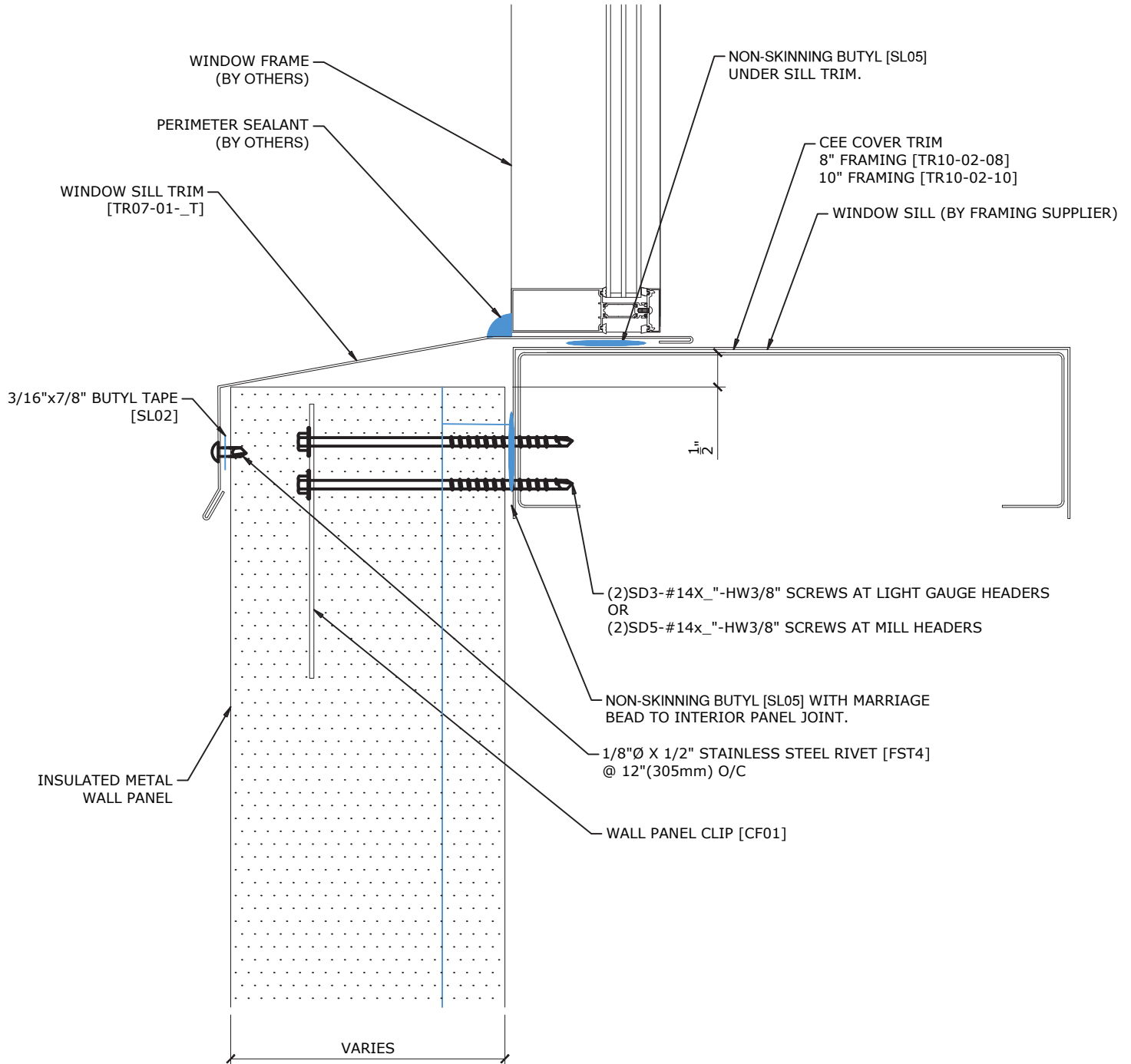
REV.
A



NOTE:
 - BEAD OF NON-SKINNING BUTYL [SL05] IS TO BE 3/8" UNLESS NOTED OTHERWISE.
 - IF SEALANT RUNS OUT OF JOINT ENSURE IT IS CLEANED OFF THE PANEL IMMEDIATELY.
 - BEAD OF URETHANE POLYSEAL [SL06] IS TO BE 1/4" MINIMUM. A LARGER BEAD MAY BE USED IF REQUIRED.

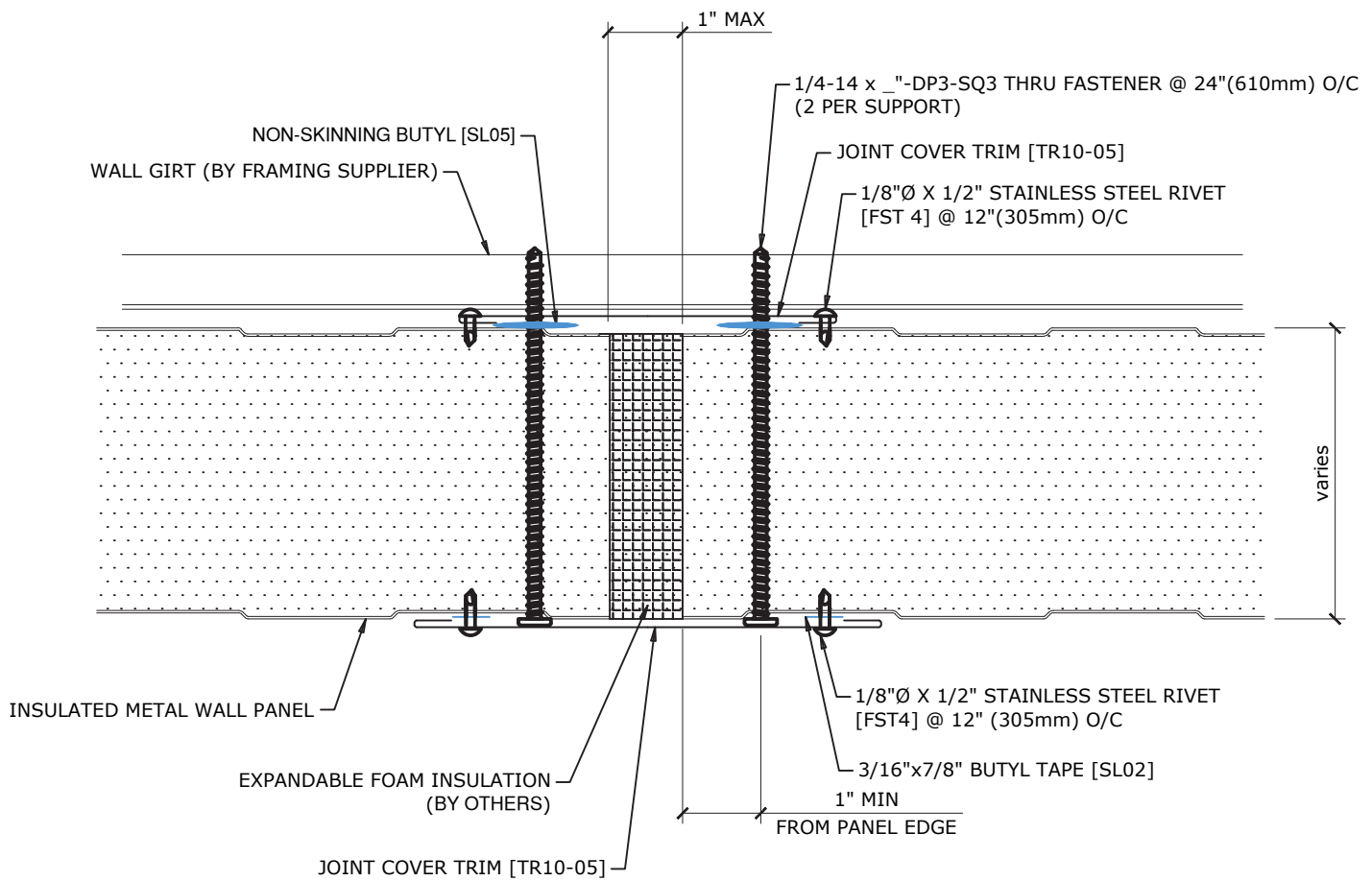
NOTES:
 A. DETAILS ARE FOR GUIDELINES ONLY, AND MAY NOT BE SUITABLE FOR ALL BUILDING DESIGNS AND CONDITIONS.
 B. SCREW LENGTHS MAY VARY PER CUSTOMER REQUEST. #12-14x1", #12-14x1 1/2", #12-14x2", #12-14x3" ARE AVAILABLE.

PROFILE IMP WALL PANELS		APPLICATION COMMERCIAL - INDUSTRIAL	
DETAIL WINDOW SILL		SHT. IMP-207B	DATE JAN 6/21
			REV. A



NOTES:
 A. DETAILS ARE FOR GUIDELINES ONLY, AND MAY NOT BE SUITABLE FOR ALL BUILDING DESIGNS AND CONDITIONS.
 B. SCREW LENGTHS MAY VARY PER CUSTOMER REQUEST. #12-14x1", #12-14x1 1/2", #12-14x2", #12-14x3" ARE AVAILABLE.

PROFILE	IMP WALL PANELS			APPLICATION	COMMERCIAL - INDUSTRIAL				
DETAIL	PANEL SIDE JOINT			SHT.	IMP-208	DATE	JAN 6/21	REV.	A

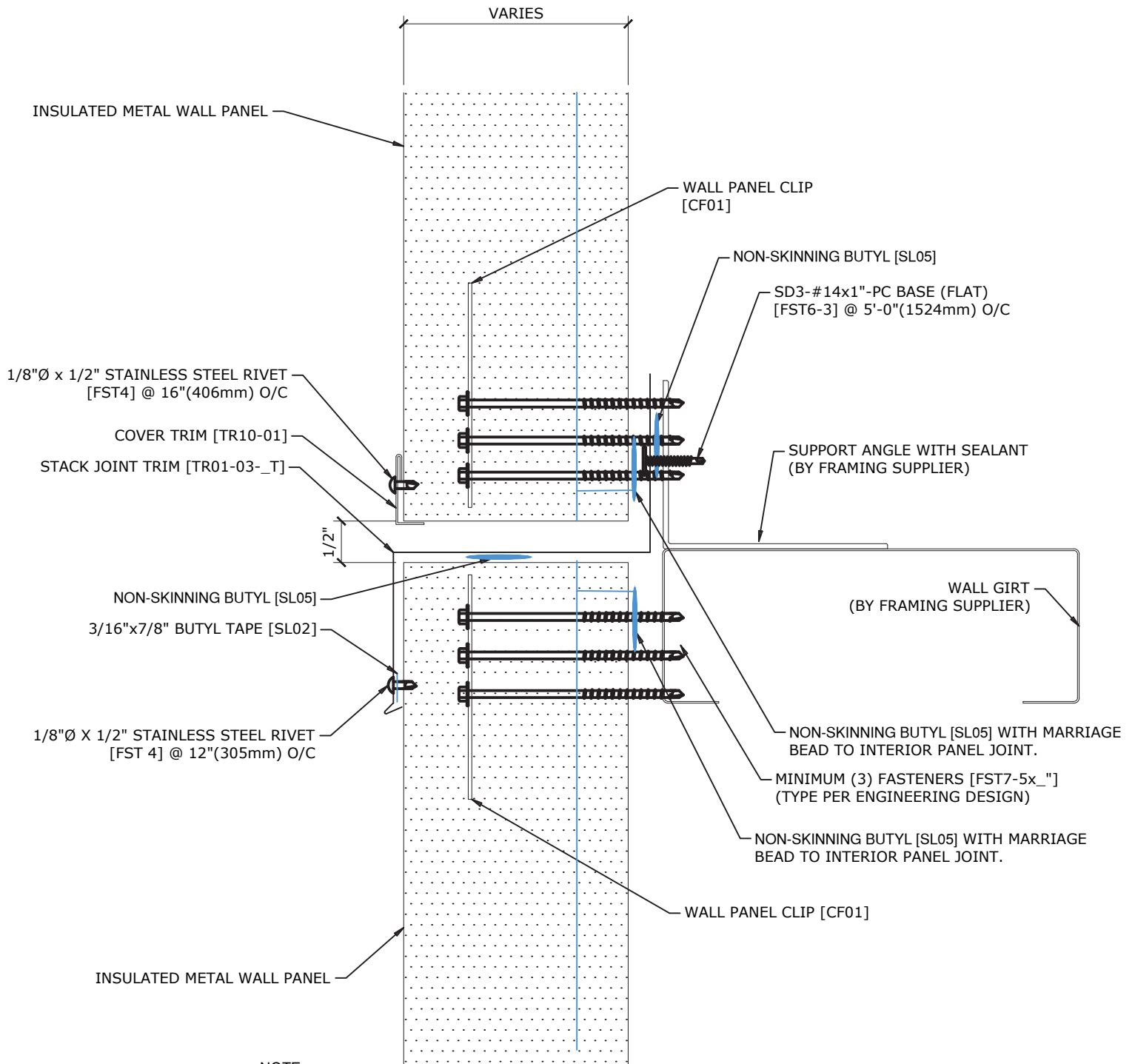


NOTE:

- BEAD OF NON-SKINNING BUTYL [SL05] IS TO BE 3/8" UNLESS NOTED OTHERWISE.
- IF SEALANT RUNS OUT OF JOINT ENSURE IT IS CLEANED OFF THE PANEL IMMEDIATELY.

NOTES:
 A. DETAILS ARE FOR GUIDELINES ONLY, AND MAY NOT BE SUITABLE FOR ALL BUILDING DESIGNS AND CONDITIONS.
 B. SCREW LENGTHS MAY VARY PER CUSTOMER REQUEST. #12-14x1", #12-14x1 1/2", #12-14x2", #12-14x3" ARE AVAILABLE.

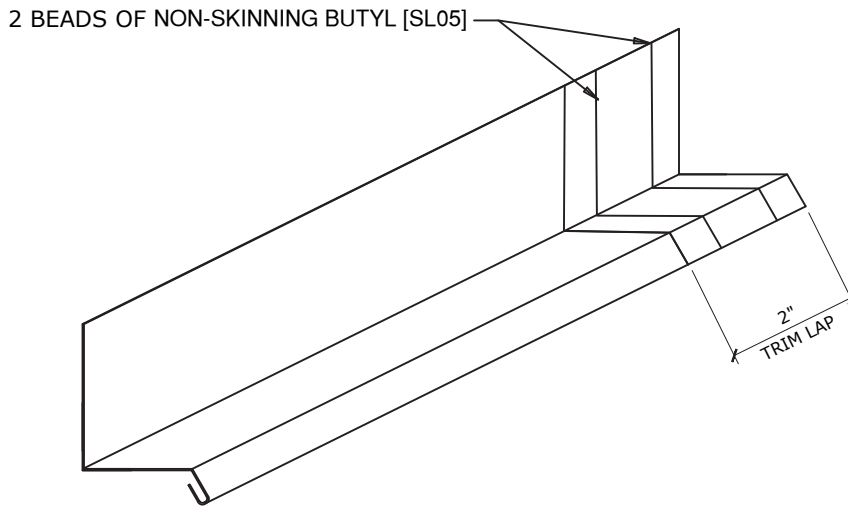
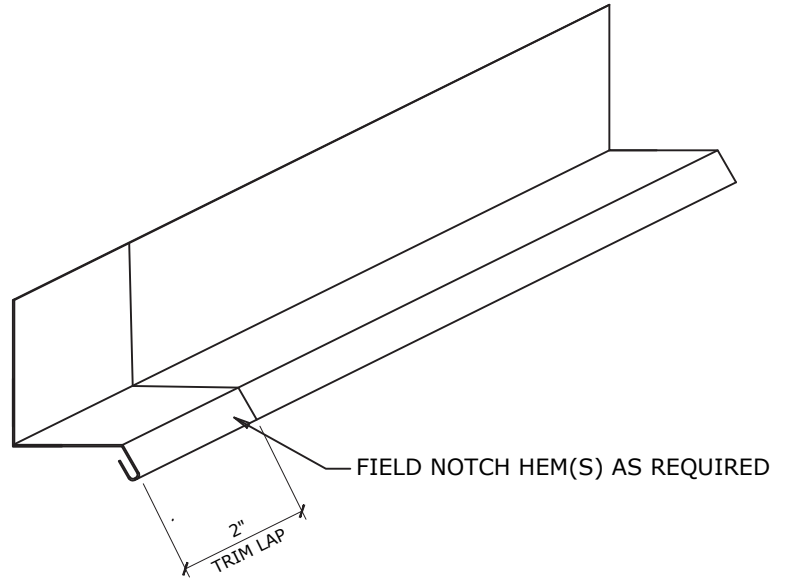
PROFILE	APPLICATION		
IMP WALL PANELS	COMMERCIAL - INDUSTRIAL		
DETAIL	SHT.	DATE	REV.
VERTICAL STACK JOINT	IMP-208A	JAN 6/21	A



- NOTE:**
- BEAD OF NON-SKINNING BUTYL [SL05] IS TO BE 3/8" UNLESS NOTED OTHERWISE.
 - IF SEALANT RUNS OUT OF JOINT ENSURE IT IS CLEANED OFF THE PANEL IMMEDIATELY.
 - BEAD OF URETHANE POLYSEAL [SL06] IS TO BE 1/4" MINIMUM. A LARGER BEAD MAY BE USED IF REQUIRED.

- NOTES:**
- A. DETAILS ARE FOR GUIDELINES ONLY, AND MAY NOT BE SUITABLE FOR ALL BUILDING DESIGNS AND CONDITIONS.
 - B. SCREW LENGTHS MAY VARY PER CUSTOMER REQUEST. #12-14x1", #12-14x1 1/2", #12-14x2", #12-14x3" ARE AVAILABLE.

PROFILE	APPLICATION		
IMP WALL PANELS	COMMERCIAL - INDUSTRIAL		
DETAIL	SHT.	DATE	REV.
TRIM END LAP - BASE	IMP-209	JAN 6/21	A



NOTE:
- RIVET OR STITCH SCREW AS NECESSARY.

NOTES:
A. DETAILS ARE FOR GUIDELINES ONLY, AND MAY NOT BE SUITABLE FOR ALL BUILDING DESIGNS AND CONDITIONS.
B. SCREW LENGTHS MAY VARY PER CUSTOMER REQUEST. #12-14x1", #12-14x1 1/2", #12-14x2", #12-14x3" ARE AVAILABLE.

PROFILE
IMP WALL PANELS

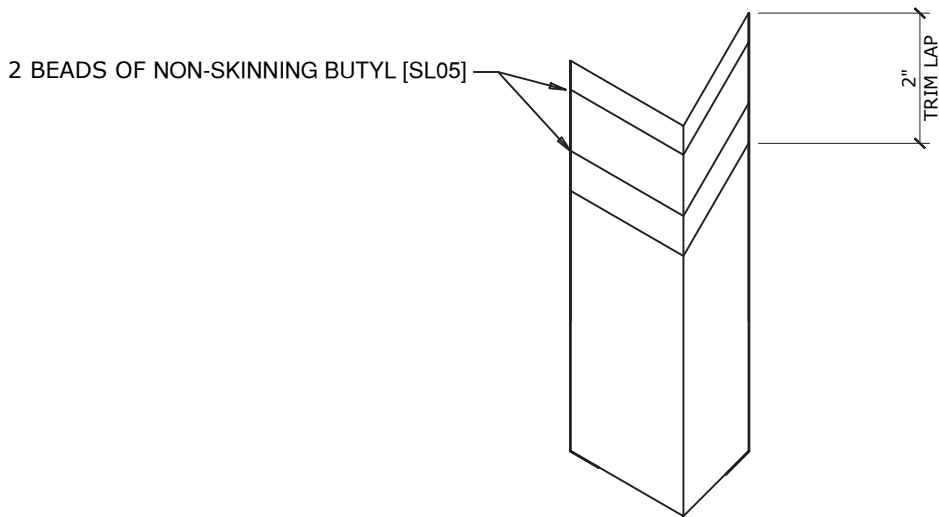
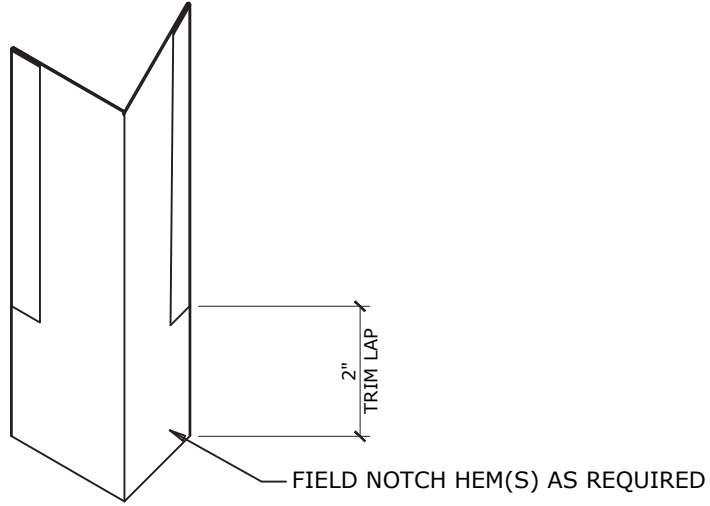
APPLICATION
COMMERCIAL - INDUSTRIAL

DETAIL
TRIM END LAP - CORNER

SHT.
IMP-209A

DATE
JAN 6/21

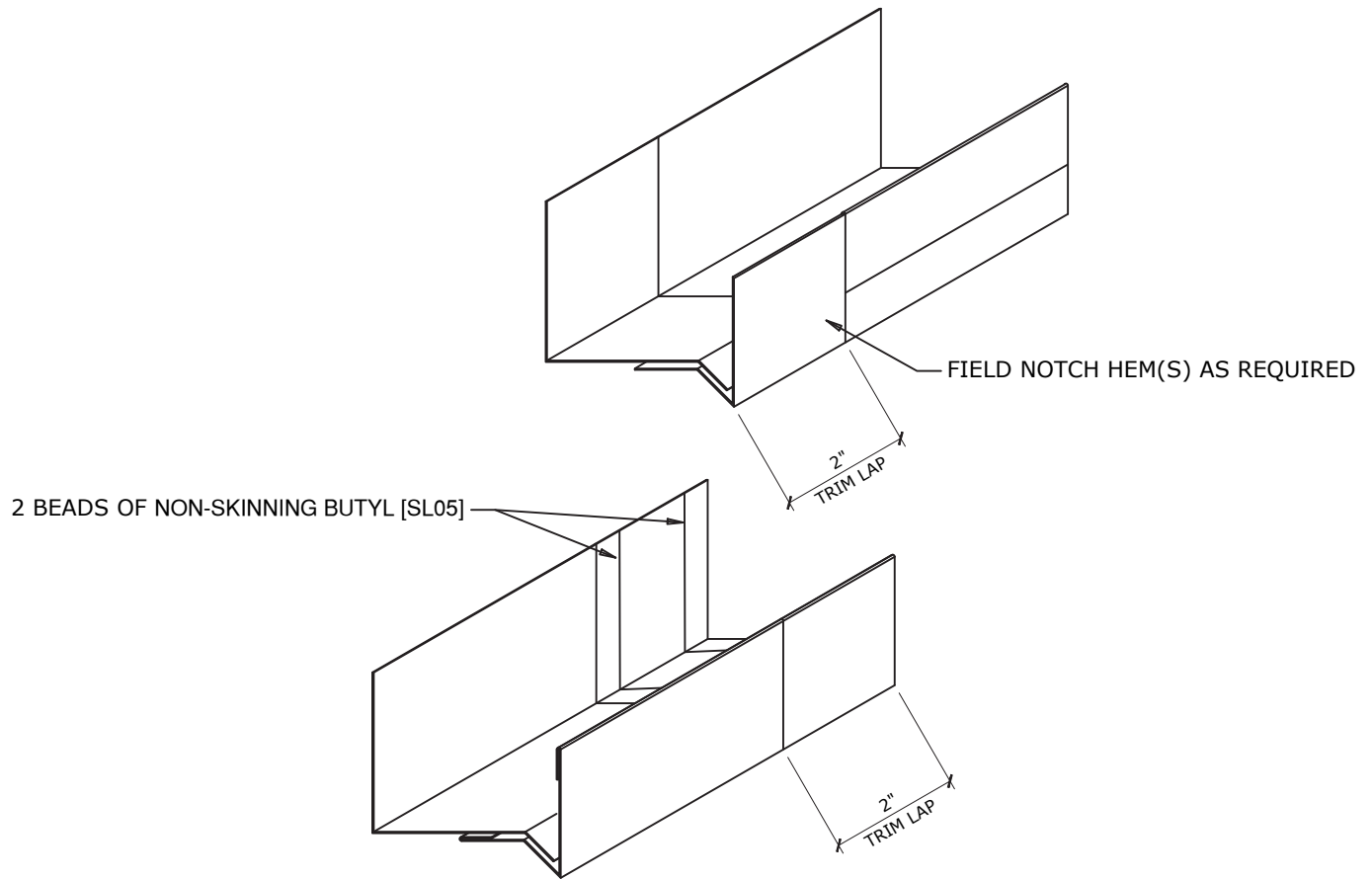
REV.
A



NOTE:
- RIVET OR STITCH SCREW AS NECESSARY.

NOTES:
A. DETAILS ARE FOR GUIDELINES ONLY, AND MAY NOT BE SUITABLE FOR ALL BUILDING DESIGNS AND CONDITIONS.
B. SCREW LENGTHS MAY VARY PER CUSTOMER REQUEST. #12-14x1", #12-14x1 1/2", #12-14x2", #12-14x3" ARE AVAILABLE.

PROFILE	APPLICATION		
IMP WALL PANELS	COMMERCIAL - INDUSTRIAL		
DETAIL	SHT.	DATE	REV.
TRIM END LAP - TWO PIECE HEAD	IMP-209B	JAN 6/21	A



NOTE:
- RIVET OR STITCH SCREW AS NECESSARY.

NOTES:
 A. DETAILS ARE FOR GUIDELINES ONLY, AND MAY NOT BE SUITABLE FOR ALL BUILDING DESIGNS AND CONDITIONS.
 B. SCREW LENGTHS MAY VARY PER CUSTOMER REQUEST. #12-14x1", #12-14x1 1/2", #12-14x2", #12-14x3" ARE AVAILABLE.

PROFILE
IMP WALL PANELS

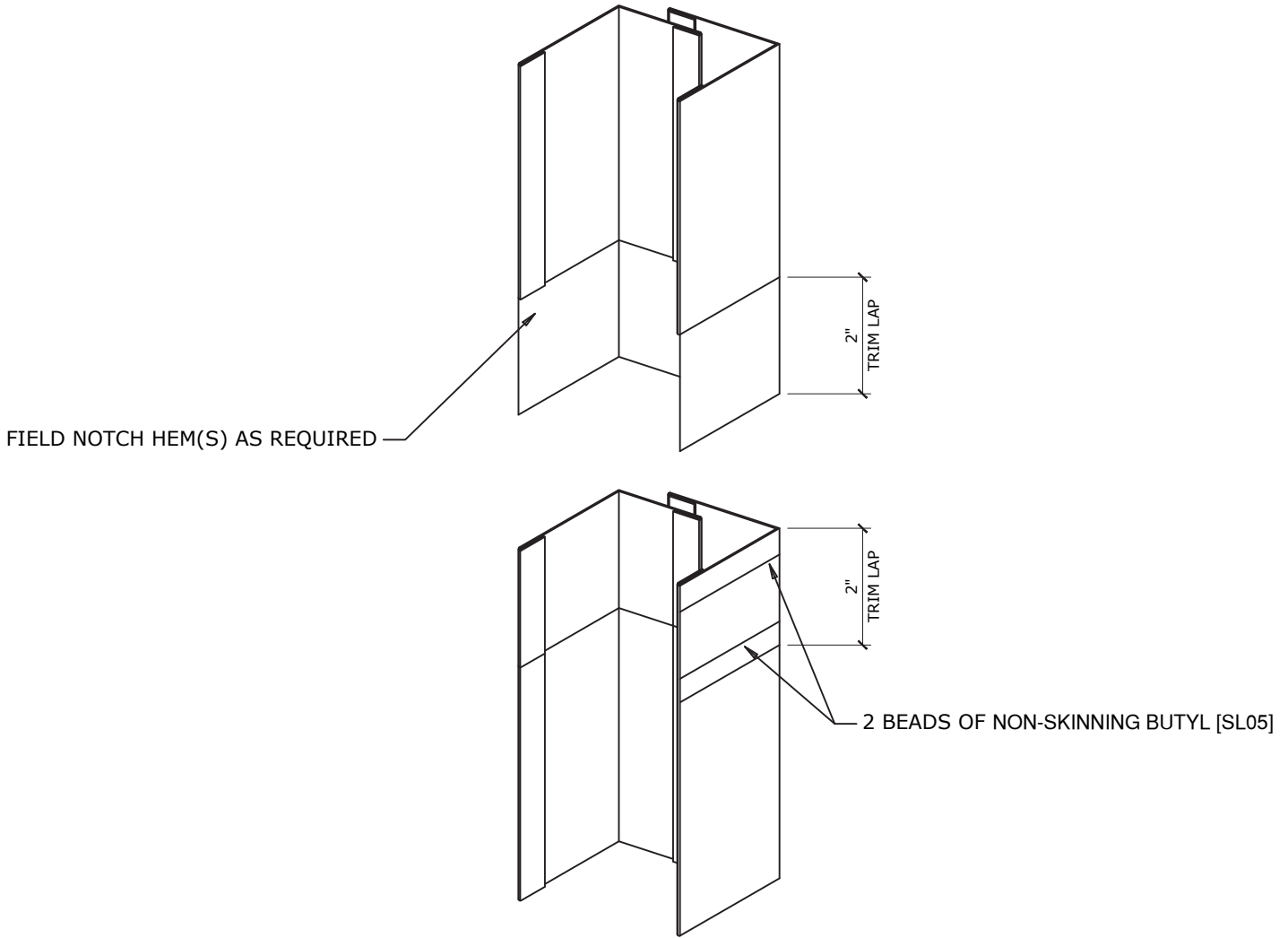
APPLICATION
COMMERCIAL - INDUSTRIAL

DETAIL
TRIM END LAP - TWO PIECE JAMB

SHT.
IMP-209C

DATE
JAN 6/21

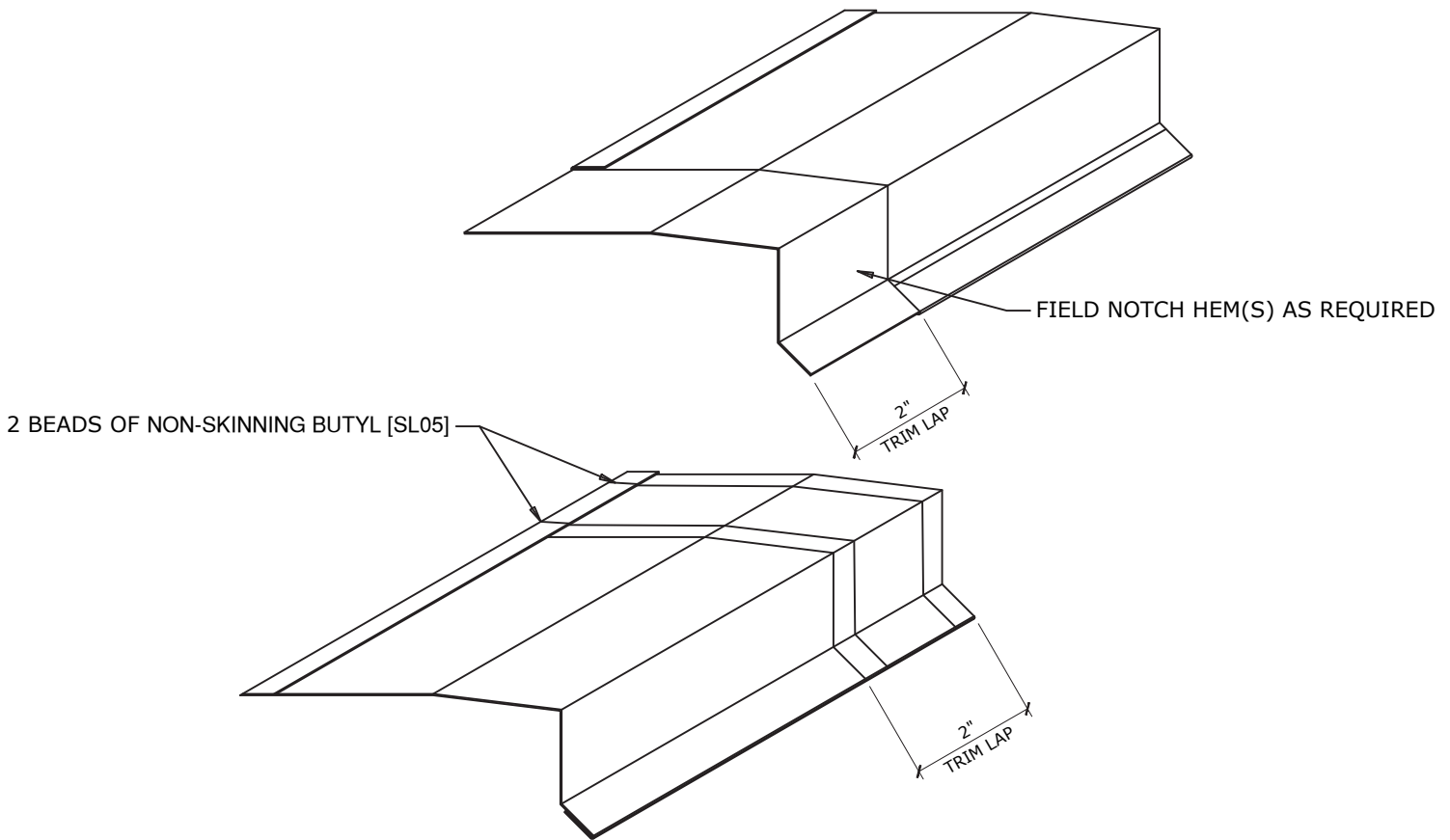
REV.
A



NOTE:
- RIVET OR STITCH SCREW AS NECESSARY.

NOTES:
A. DETAILS ARE FOR GUIDELINES ONLY, AND MAY NOT BE SUITABLE FOR ALL BUILDING DESIGNS AND CONDITIONS.
B. SCREW LENGTHS MAY VARY PER CUSTOMER REQUEST. #12-14x1", #12-14x1 1/2", #12-14x2", #12-14x3" ARE AVAILABLE.

PROFILE	APPLICATION		
IMP WALL PANELS	COMMERCIAL - INDUSTRIAL		
DETAIL	SHT.	DATE	REV.
TRIM END LAP - SILL	IMP-209D	JAN 6/21	A



NOTE:
- RIVET OR STITCH SCREW AS NECESSARY.

NOTES:
 A. DETAILS ARE FOR GUIDELINES ONLY, AND MAY NOT BE SUITABLE FOR ALL BUILDING DESIGNS AND CONDITIONS.
 B. SCREW LENGTHS MAY VARY PER CUSTOMER REQUEST. #12-14x1", #12-14x1 1/2", #12-14x2", #12-14x3" ARE AVAILABLE.

PROFILE
IMP WALL PANELS

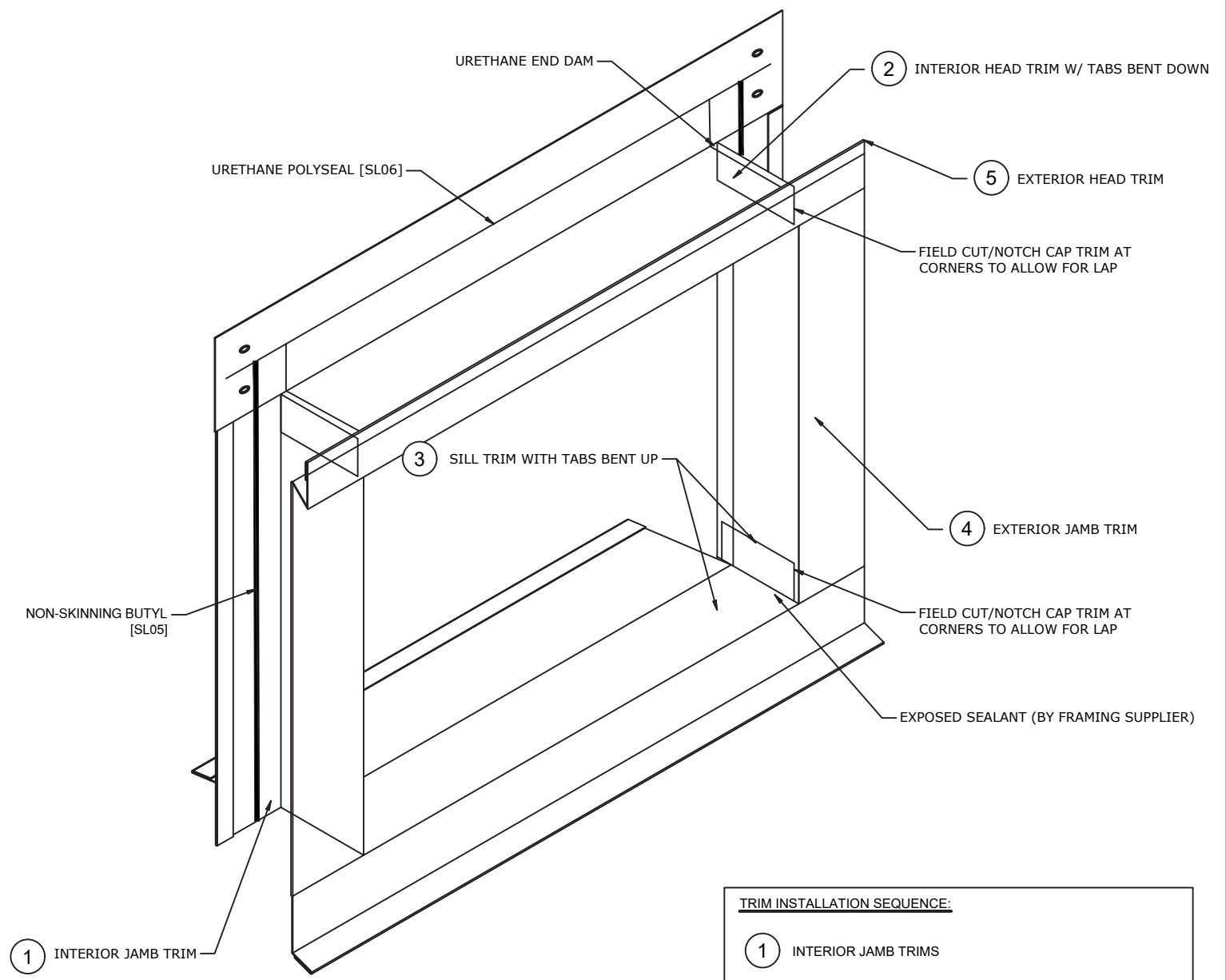
APPLICATION
COMMERCIAL - INDUSTRIAL

DETAIL
TRIM END LAP - SILL

SHT.
IMP-209E

DATE
JAN 6/21

REV.
A



- TRIM INSTALLATION SEQUENCE:**
- 1 INTERIOR JAMB TRIMS
 - 2 INTERIOR HEAD TRIM WITH TABS BENT DOWN, NOTCHED
 - 3 SILL TRIM WITH TABS BENT UP, NOTCHED
 - 4 EXTERIOR JAMB TRIMS
 - 5 EXTERIOR HEAD TRIM

NOTES:

A. DETAILS ARE FOR GUIDELINES ONLY, AND MAY NOT BE SUITABLE FOR ALL BUILDING DESIGNS AND CONDITIONS.
 B. SCREW LENGTHS MAY VARY PER CUSTOMER REQUEST. #12-14x1", #12-14x1 1/2", #12-14x2", #12-14x3" ARE AVAILABLE.

PROFILE	APPLICATION		
IMP WALL PANELS	COMMERCIAL - INDUSTRIAL		
DETAIL	SHT.	DATE	REV.
PIPE PENETRATION THROUGH IMP PANEL	IMP-210	AUG 27/21	A

FOR NEW PANEL. CAULK EXTERIOR GROOVE(S) LOCATED DIRECTLY ABOVE CUTOUT USING NON-SKINNING BUTYL CAULK [SL05] TO TOP OF WALL / STACK JOINT ABOVE.

- MARRIAGE BEAD REQUIRED FROM GROOVE CAULK TO COVER PLATE CAULK. SEE DETAIL 1/IMP-210A.

FOR EXISTING PANEL, CAULK OUTSIDE OF PANEL JOINT FROM PENETRATION TO TOP OF WALL / STACK JOINT ABOVE.

AFTER ENSURING INTERIOR & EXTERIOR MARRIAGE BEADS ARE IN PLACE, FILL VOID USING EXPANDING FOAM (BY OTHERS).

PENETRATING PIPES DO NOT NEED TO BE LOCATED AT A PANEL LEAVING JOINT. WHEN INSTALLING PANEL AROUND EXISTING PIPES, PANELS MAY NEED TO BE SLOTTED FROM AN EDGE.

PANEL JOINT CW NON-SKINNING BUTYL CAULK [SL05] IN GROOVE ON WARM SIDE OF THE PANEL (FOR VAPOUR BARRIER).

- MARRIAGE BEAD REQUIRED FROM GROOVE CAULK TO COVER PLATE CAULK. SEE DETAIL 1/IMP-210A.

PIPE(S) PENETRATING WALL

CUT OUT PANEL AROUND PIPE LEAVING MIN. CLEARANCE OF 1/2" (13) ALL AROUND.

WALL PANEL

WALL GIRT

BEFORE INSTALLING COVER PLATES, ENSURE INTERIOR & EXTERIOR MARRIAGE BEADS ARE IN PLACE. SEE SECTION AR226A.

TOP COVER PLATE.

1/8" x 1/2" (3X13) RIVETS [FST 4] OR SDL #14X7/8"-HW5/16" [FST3].

AFTER INSTALLING COVER PLATES, SEAL USING 3/8" (10) BEAD OF URETHANE CAULK [SL06]

SEAL COVER PLATES TO PANEL USING URETHANE CAULK [SL06]. EXTEND CAULK FOR BOTTOM PLATE ABOVE EDGE TO ENSURE CONTINUITY WITH TOP LAYER.

BOTTOM COVER PLATE

WALL PANEL

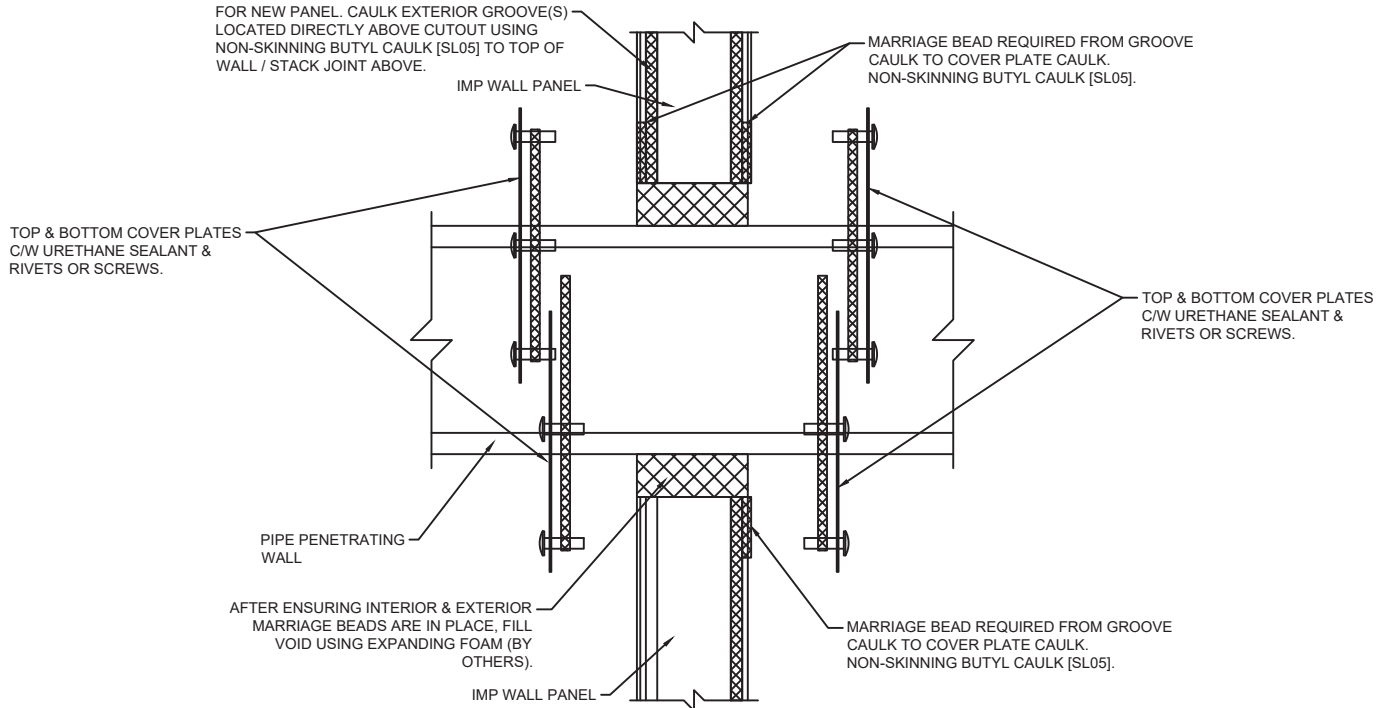
WALL GIRT

COVER PLATES:

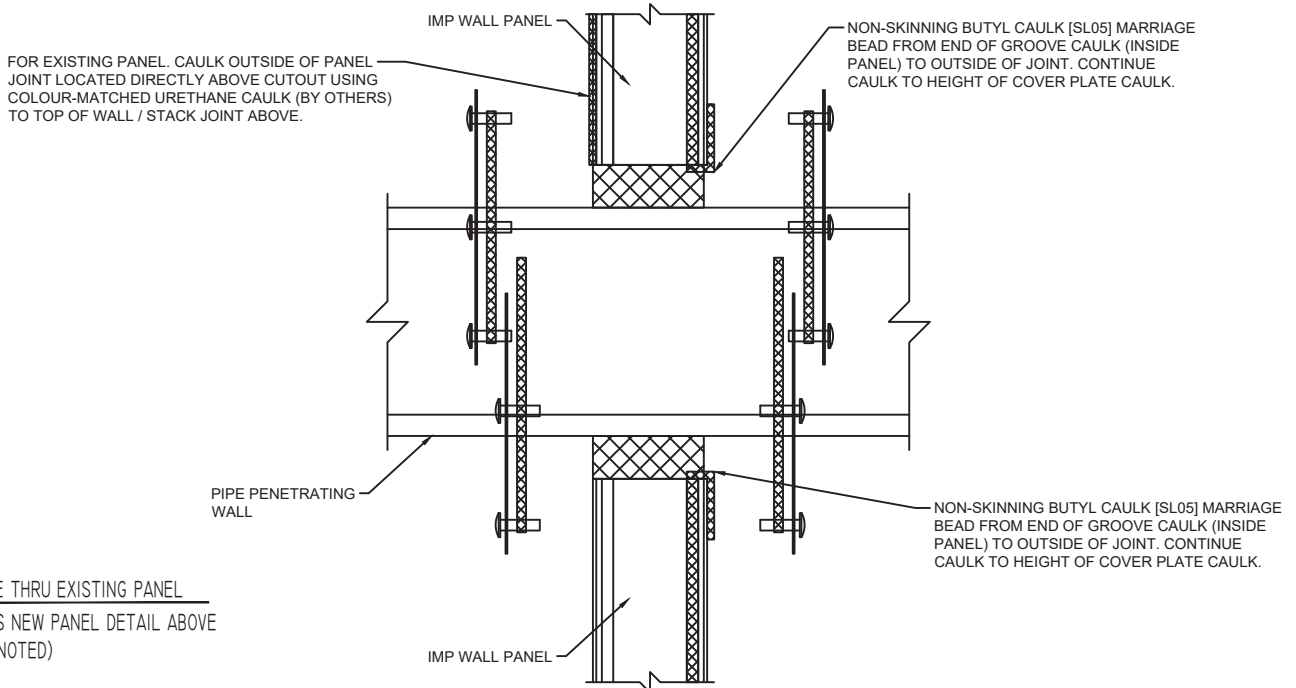
- COVER PLATES REQUIRED BOTH SIDES OF PANEL. EXTERIOR SHOWN. INTERIOR INSTALLATION SIMILAR.
- FIELD FABRICATE COVER PLATES FROM FLAT STOCK MATCHING PANEL.
- SIZE PLATES TO OVERLAP ONTO PANEL MIN. 2" (51) ALL AROUND.
- TOP AND BOTTOM COVER PLATES TO OVERLAP MIN. OF 2" (51).
- NOTCH COVER PLATES TO FIT CLOSELY AROUND PENETRATING PIPE(S).

NOTES:
 A. DETAILS ARE FOR GUIDELINES ONLY, AND MAY NOT BE SUITABLE FOR ALL BUILDING DESIGNS AND CONDITIONS.
 B. SCREW LENGTHS MAY VARY PER CUSTOMER REQUEST. #12-14x1", #12-14x1 1/2", #12-14x2", #12-14x3" ARE AVAILABLE.

PROFILE	IMP WALL PANELS			APPLICATION	COMMERCIAL - INDUSTRIAL		
DETAIL	PIPE PENETRATION THROUGH IMP PANEL			SHT.	IMP-210A	DATE	AUG 27/21
				REV.			A



NEW PANEL AROUND EXISTING PIPE



NEW PIPE THRU EXISTING PANEL
(SAME AS NEW PANEL DETAIL ABOVE UNLESS NOTED)

CAULKING @ PIPE PENETRATION

1
IMP-210A

- NOTES:
- A. DETAILS ARE FOR GUIDELINES ONLY, AND MAY NOT BE SUITABLE FOR ALL BUILDING DESIGNS AND CONDITIONS.
 - B. SCREW LENGTHS MAY VARY PER CUSTOMER REQUEST. #12-14x1", #12-14x1 1/2", #12-14x2", #12-14x3" ARE AVAILABLE.

PROFILE
IMP WALL PANELS

APPLICATION
COMMERCIAL - INDUSTRIAL

DETAIL
BEAM PENETRATION THROUGH IMP PANEL

SHT.
IMP-211

DATE
AUG 27/21

REV.
A

FOR NEW PANEL, CAULK ANY EXTERIOR GROOVE LOCATED DIRECTLY ABOVE CUTOUT USING NON-SKINNING BUTYL CAULK [SL05] TO TOP OF WALL / STACK JOINT ABOVE.

- MARRIAGE BEAD REQUIRED FROM GROOVE CAULK TO COVER PLATE CAULK. SEE DETAIL 2/IMP-211A.

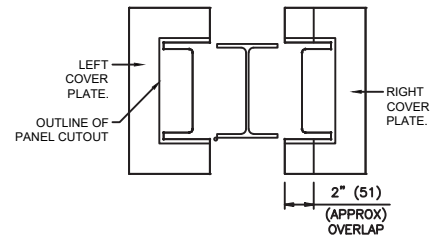
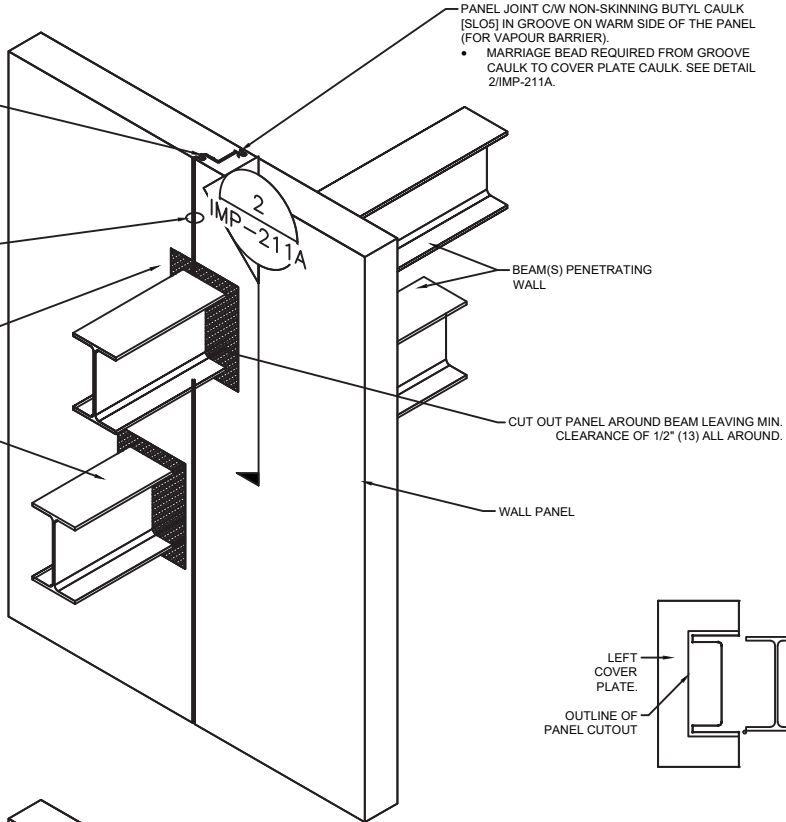
FOR EXISTING PANEL, CAULK OUTSIDE OF PANEL JOINT FROM PENETRATION TO TOP OF WALL / STACK JOINT ABOVE.

AFTER ENSURING INTERIOR & EXTERIOR MARRIAGE BEADS ARE IN PLACE, FILL VOID USING EXPANDING FOAM (BY OTHERS).

PENETRATING BEAMS DO NOT NEED TO BE LOCATED AT A PANEL JOINT. WHEN INSTALLING PANEL AROUND EXISTING BEAMS, PANELS MAY NEED TO BE SLOTTED FROM AN EDGE.

PANEL JOINT CW NON-SKINNING BUTYL CAULK [SL05] IN GROOVE ON WARM SIDE OF THE PANEL (FOR VAPOUR BARRIER).

- MARRIAGE BEAD REQUIRED FROM GROOVE CAULK TO COVER PLATE CAULK. SEE DETAIL 2/IMP-211A.



COVER PLATE LAYOUT
(FIELD FAB. FROM FLAT STOCK)

BEFORE INSTALLING COVER PLATES, ENSURE INTERIOR & EXTERIOR MARRIAGE BEADS ARE IN PLACE. SEE SECTION AR228A.

LEFT COVER PLATE.

1/8" x 1/2" (3X13) RIVETS [FST 4] OR
SDL #14X7/8"-HW5/16" [FST3].

AFTER INSTALLING COVER PLATES, SEAL USING 3/8" (10) BEAD OF URETHANE CAULK [SL06]

BEFORE INSTALLING COVER PLATES, ENSURE INTERIOR & EXTERIOR MARRIAGE BEADS ARE IN PLACE. SEE SECTION AR228A.

BEAM(S) PENETRATING WALL

SEAL COVER PLATES TO PANEL USING URETHANE CAULK [SL06]. EXTEND CAULK FOR 1ST PLATE PAST EDGE TO ENSURE CONTINUITY WITH CAULK FOR 2ND PLATE.

RIGHT COVER PLATE

WALL PANEL

- COVER PLATES:**
- COVER PLATES REQUIRED BOTH SIDES OF PANEL. EXTERIOR SHOWN. INTERIOR INSTALLATION SIMILAR.
 - FIELD FABRICATE COVER PLATES FROM FLAT STOCK MATCHING PANEL.
 - SIZE PLATES TO OVERLAP ONTO PANEL MIN. 2" (51) ALL AROUND.
 - TOP AND BOTTOM COVER PLATES TO OVERLAP MIN. OF 2" (51).
 - NOTCH COVER PLATES TO FIT CLOSELY AROUND PENETRATING BEAM(S).

NOTES:
A. DETAILS ARE FOR GUIDELINES ONLY, AND MAY NOT BE SUITABLE FOR ALL BUILDING DESIGNS AND CONDITIONS.
B. SCREW LENGTHS MAY VARY PER CUSTOMER REQUEST. #12-14x1", #12-14x1 1/2", #12-14x2", #12-14x3" ARE AVAILABLE.

PROFILE
IMP WALL PANELS

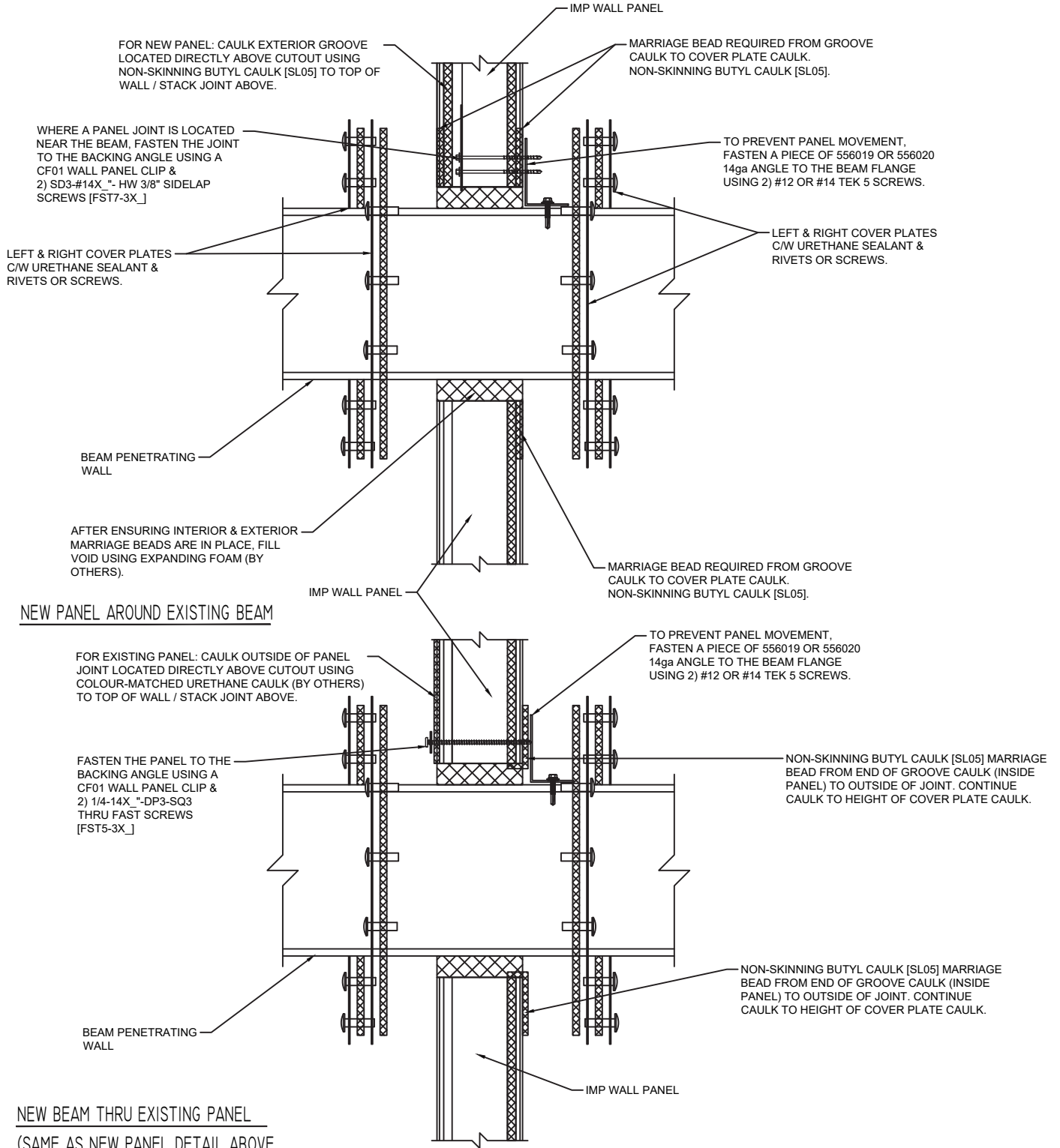
APPLICATION
COMMERCIAL - INDUSTRIAL

DETAIL
BEAM PENETRATION THROUGH IMP PANEL

SHT.
IMP-211A

DATE
AUG 27/21

REV.
A



NEW BEAM THRU EXISTING PANEL
(SAME AS NEW PANEL DETAIL ABOVE UNLESS NOTED)

CAULKING @ BEAM PENETRATION

2
IMP-211A

NOTES:
A. DETAILS ARE FOR GUIDELINES ONLY, AND MAY NOT BE SUITABLE FOR ALL BUILDING DESIGNS AND CONDITIONS.
B. SCREW LENGTHS MAY VARY PER CUSTOMER REQUEST. #12-14x1", #12-14x1 1/2", #12-14x2", #12-14x3" ARE AVAILABLE.